

OPERATOR'S MANUAL



Model 8752, 8756, & 8757 Soft Serve Freezers

Original Operating Instructions

028752-M

**8/99 (Original Publication)
(Updated 8/14/14)**

Complete this page for quick reference when service is required:

Taylor Distributor: _____

Address: _____

Phone: _____

Service: _____

Parts: _____

Date of Installation: _____

Information found on the data label:

Model Number: _____

Serial Number: _____

Electrical Specs: Voltage _____ Cycle _____

Phase _____

Maximum Fuse Size: _____ Amps

Minimum Wire Ampacity: _____ Amps

Part Number: _____

© 1999 Carrier Commercial Refrigeration, Inc.

028752- M

Any unauthorized reproduction, disclosure, or distribution of copies by any person of any portion of this work may be a violation of Copyright Law of the United States of America and other countries, could result in the awarding of Statutory Damages of up to \$250,000 (17 USC 504) for infringement, and may result in further civil and criminal penalties.

All rights reserved.



Taylor Company
a division of Carrier Commercial Refrigeration, Inc.
750 N. Blackhawk Blvd.
Rockton, IL 61072

Table of Contents

Section 1	To the Installer	1
Section 2	To the Operator	4
Section 3	Safety	5
Section 4	Operator Parts Identification	7
	Model 8752	7
	8752 Beater Door Assembly	9
	Model 8756	11
	Model 8757	13
	8756 & 8757 Beater Door Assembly	15
	Accessories	16
Section 5	Important: To the Operator	17
	Symbol Definitions	18
	Power Switch	18
	Indicator Lights - MIX LOW and MIX OUT	18
	Reset Button	18
	SOFTECH Control Operation	18
	MIX REF	18
	Standby	19
	Wash	19
	Auto	19
	Pump	19
	Adjustable Draw Handle	19
Section 6	Operating Procedures	20
	Prior to Set-Up (Model 8757)	20
	Assembly	20
	Air/Mix Pump Assembly	24
	Air/Mix Pump Assembly Exploded View	28
	Sanitizing	29
	Priming	31
	Closing Procedure	32
	Draining Product From the Freezing Cylinder	32

Rinsing	33
Cleaning	33
Disassembly	34
Brush Cleaning	34
Check Topping Pump Temperature and Volume - Model 8757	35
Section 7 Important: Operator Checklist	36
During Cleaning and Sanitizing	36
Troubleshooting Bacterial Count	36
Regular Maintenance Checks	36
The Air/Mix Pump	37
Winter Storage	37
Section 8 Troubleshooting Guide	38
Section 9 Parts Replacement Schedule	43
Section 10 Limited Warranty on Equipment	44
Section 11 Limited Warranty on Parts	46
Section 12 Parts List	49
Wiring Diagrams	61

Note: Continuing research results in steady improvements; therefore, information in this manual is subject to change without notice.

Note: Only instructions originating from the factory or its authorized translation representative(s) are considered to be the original set of instructions.

© 1999 Carrier Commercial Refrigeration, Inc. (Original Publication)
(Updated August, 2014)
028752- M

Any unauthorized reproduction, disclosure, or distribution of copies by any person of any portion of this work may be a violation of Copyright Law of the United States of America and other countries, could result in the awarding of Statutory Damages of up to \$250,000 (17 USC 504) for infringement, and may result in further civil and criminal penalties. All rights reserved.



Taylor Company
a division of Carrier Commercial Refrigeration, Inc.
750 N. Blackhawk Blvd.
Rockton, IL 61072

Section 1

To the Installer

The following information has been included in the manual as safety and regulatory guidelines. For complete installation instructions, please see the Installation Checklist.

Installer Safety



In all areas of the world, equipment should be installed in accordance with existing local codes. Please contact your local authorities if you have any questions.

Care should be taken to ensure that all basic safety practices are followed during the installation and servicing activities related to the installation and service of Taylor equipment.

- Only authorized Taylor service personnel should perform installation and repairs on the equipment.
- Authorized service personnel should consult OSHA Standard 29CFR1910.147 or the applicable code of the local area for the industry standards on lockout/tagout procedures before beginning any installation or repairs.
- Authorized service personnel must ensure that the proper PPE is available and worn when required during installation and service.
- Authorized service personnel must remove all metal jewelry, rings, and watches before working on electrical equipment.



The main power supply(s) to the freezer must be disconnected prior to performing any repairs. Failure to follow this instruction may result in personal injury or death from electrical shock or hazardous moving parts as well as poor performance or damage to the equipment.

Note: All repairs must be performed by an authorized Taylor Service Technician.



This unit has many sharp edges that can cause severe injuries.

Site Preparation

Review the area where the unit will be installed before uncrating the unit. Make sure all possible hazards to the user or equipment have been addressed.

Air Cooled Units

DO NOT obstruct air intake and discharge openings:

Air cooled units require a minimum of 3" (76 mm) of clearance around **all** sides of the freezer and 12" (305 mm) on top to allow for adequate air flow across the condenser(s). Failure to allow adequate clearance can reduce the refrigeration capacity of the freezer and possibly cause permanent damage to the compressor.

For Indoor Use Only: This unit is designed to operate indoors, under normal ambient temperatures of 70°-75°F (21°-24°C). The freezer has successfully performed in high ambient temperatures of 104° (40°C) at reduced capacities.



This unit must **NOT** be installed in an area where a water jet or hose can be used. **NEVER** use a water jet or hose to rinse or clean the unit. Failure to follow this instruction may result in electrocution.



This unit must be installed on a level surface to avoid the hazard of tipping. Extreme care should be taken in moving this equipment for any reason. Two or more persons are required to safely move this unit. Failure to comply may result in personal injury or equipment damage.

Uncrate the unit and inspect it for damage. Report any damage to your Taylor Distributor.

This piece of equipment is made in the USA and has USA sizes of hardware. All metric conversions are approximate and vary in size.

Water Connections (Water Cooled Units Only)

An adequate cold water supply must be provided with a hand shut-off valve. On the underside rear of the base pan, two 3/8" I.P.S. (for single-head units) or two 1/2" I.P.S. (for double-head units) water connections for inlet and outlet have been provided for easy hook-up. 1/2" inside diameter water lines should be connected to the machine. (Flexible lines are recommended, if local codes permit.) Depending on local water conditions, it may be advisable to install a water strainer to prevent foreign substances from clogging the automatic water valve. There will be only one water "in" and one water "out" connection for both single-head and double-head units. **DO NOT** install a hand shut-off valve on the water "out" line! Water should always flow in this order: first, through the automatic water valve; second, through the condenser; and third, through the outlet fitting to an **open trap drain**.



A back flow prevention device is required on the incoming water connection side. Please refer to the applicable National, State, and local codes for determining the proper configuration.

Electrical Connections

In the United States, this equipment is intended to be installed in accordance with the National Electrical Code (NEC), ANSI/NFPA 70-1987. The purpose of the NEC code is the practical safeguarding of persons and property from hazards arising from the use of electricity. This code contains provisions considered necessary for safety. In all other areas of the world, equipment should be installed in accordance with the existing local codes. Please contact your local authorities.



FOLLOW YOUR LOCAL ELECTRICAL CODES!

Each unit requires one power supply for each data label on the unit. Check the data label(s) on the freezer for branch circuit overcurrent protection or fuse, circuit ampacity and other electrical specifications. Refer to the wiring diagram provided inside of the electrical box, for proper power connections.



CAUTION: THIS EQUIPMENT MUST BE PROPERLY GROUNDED! FAILURE TO DO SO CAN RESULT IN SEVERE PERSONAL INJURY FROM ELECTRICAL SHOCK!



DO NOT operate this freezer with larger fuses than specified on the unit data label. Failure to follow this instruction may result in electrocution or damage to the machine.



This unit is provided with an equipotential grounding lug that is to be properly attached to the rear of the frame by the authorized installer. The installation location is marked by the equipotential bonding symbol (5021 of IEC 60417-1) on both the removable panel and the equipment's frame.



Stationary appliances which are not equipped with a power cord and a plug or another device to disconnect the appliance from the power source must have an all-pole disconnecting device with a contact gap of at least 3 mm installed in the external installation.



Appliances that are permanently connected to fixed wiring and for which leakage currents may exceed 10 mA, particularly when disconnected or not used for long periods, or during initial installation, shall have protective devices such as a GFI, to protect against the leakage of current, installed by the authorized personnel to the local codes.



Supply cords used with this unit shall be oil-resistant, sheathed flexible cable not lighter than ordinary polychloroprene or other equivalent synthetic elastomer-sheathed cord (Code designation 60245 IEC 57) installed with the proper cord anchorage to relieve conductors from strain, including twisting, at the terminals and protect the insulation of the conductors from abrasion.

If the supply cord is damaged, it must be replaced by the manufacturer, its service agent, or similarly qualified person, in order to avoid a hazard.

Beater Rotation



Beater rotation must be clockwise as viewed looking into the freezing cylinder.

Note: The following procedures should be performed by a trained service technician.

To correct the rotation on a three-phase unit, interchange any two incoming power supply lines at freezer main terminal block only.

To correct rotation on a single-phase unit, change the leads inside the beater motor. (Follow the diagram printed on the motor.)

Electrical connections are made directly to the terminal block provided in the splice box which is mounted on the base pan on the right side of the freezer for the Model 8752 and located in the splice boxes which are mounted mid-level on the frame channel on the right and left sides for the Models 8756 and 8757.

Refrigerant



In consideration of our environment, Taylor proudly uses only earth friendly HFC refrigerants. The HFC refrigerant used in this unit is R404A. This refrigerant is generally considered non-toxic and non-flammable, with an Ozone Depleting Potential (ODP) of zero (0).

However, any gas under pressure is potentially hazardous and must be handled with caution.

NEVER fill any refrigerant cylinder completely with liquid. Filling the cylinder to approximately 80% will allow for normal expansion.



Use only R404A refrigerant that conforms to the AHRI standard 700 specification. The use of any other refrigerant may expose users and operators to unexpected safety hazards.



Refrigerant liquid sprayed onto the skin may cause serious damage to tissue. Keep eyes and skin protected. If refrigerant burns should occur, flush immediately with cold water. If burns are severe, apply ice packs and contact a physician immediately.

Taylor reminds technicians to be cautious of government laws regarding refrigerant recovery, recycling, and reclaiming systems. If you have any questions regarding these laws, please contact the factory Service Department.



WARNING: R404A refrigerant used in conjunction with polyolester oils is extremely moisture absorbent. When opening a refrigeration system, the maximum time the system is open must not exceed 15 minutes. Cap all open tubing to prevent humid air or water from being absorbed by the oil.

Section 2

To the Operator

The freezer you have purchased has been carefully engineered and manufactured to give you dependable operation. The Taylor Models 8752, 8756, and 8757 are highly sophisticated pieces of equipment, and when properly operated and cared for, will produce a consistent quality product. Like all mechanical products, they will require cleaning and maintenance. A minimum amount of care and attention is necessary if the operating procedures outlined in this manual are followed closely.



This Operator's Manual should be read before operating or performing any maintenance on your equipment.

Your freezer will NOT eventually compensate and correct for any errors during the set-up or filling operations. Thus, the initial assembly and priming procedures are of extreme importance. It is strongly recommended that all personnel responsible for the equipment's operation study these procedures together in order to be properly trained and to make sure that no misunderstandings exist.

In the event you should require technical assistance, please contact your local authorized Taylor Distributor.

Note: Your Taylor warranty is valid only if the parts are authorized Taylor parts, purchased from the local authorized Taylor Distributor, and only if all required service work is provided by an authorized Taylor service technician. Taylor reserves the right to deny warranty claims on units or parts if non-Taylor approved parts or incorrect refrigerant were installed in the unit, system modifications were performed beyond factory recommendations, or it is determined that the failure was caused by abuse, misuse, neglect, or failure to follow all operating instructions. For full details of your Taylor Warranty, please see the Limited Warranty section in this manual.

Note: Constant research results in steady improvements; therefore, information in this manual is subject to change without notice.



If the crossed out wheeled bin symbol is affixed to this product, it signifies that this product is compliant with the EU Directive as well as other similar

legislation in effect after August 13, 2005. Therefore, it must be collected separately after its use is completed, and cannot be disposed as unsorted municipal waste.

The user is responsible for returning the product to the appropriate collection facility, as specified by your local code.

For additional information regarding applicable local laws, please contact the municipal facility and/or local distributor.

Compressor Warranty Disclaimer

The refrigeration compressor(s) on this unit are warranted for the term stated in the Limited Warranty section in this manual. However, due to the Montreal Protocol and the U.S. Clean Air Act Amendments of 1990, many new refrigerants are being tested and developed, thus seeking their way into the service industry. Some of these new refrigerants are being advertised as drop-in replacements for numerous applications. It should be noted that in the event of ordinary service to this unit's refrigeration system, **only the refrigerant specified on the affixed data label should be used.** The unauthorized use of alternate refrigerants will void your Taylor compressor warranty. It is the unit owner's responsibility to make this fact known to any technician he employs.

It should also be noted that Taylor does not warrant the refrigerant used in its equipment. For example, if the refrigerant is lost during the course of ordinary service to this machine, Taylor has no obligation to either supply or provide its replacement either at billable or unbillable terms. Taylor does have the obligation to recommend a suitable replacement if the original refrigerant is banned, obsoleted, or no longer available during the five year warranty of the compressor.

The Taylor Company will continue to monitor the industry and test new alternates as they are being developed. Should a new alternate prove, through our testing, that it would be accepted as a drop-in replacement, then the above disclaimer would become null and void. To find out the current status of an alternate refrigerant as it relates to your compressor warranty, call the local Taylor Distributor or the Taylor Factory. Be prepared to provide the Model/Serial Number of the unit in question.

We, at Taylor Company, are concerned about the safety of the operator when he or she comes in contact with the freezer and its parts. Taylor has gone to extreme efforts to design and manufacture built-in safety features to protect both you and the service technician. As an example, warning labels have been attached to the freezer to further point out safety precautions to the operator.



IMPORTANT - Failure to adhere to the following safety precautions may result in severe personal injury or death. Failure to comply with these warnings may damage the machine and its components. Component damage will result in part replacement expense and service repair expense.



DO NOT operate the freezer without reading this Operator Manual. Failure to follow this instruction may result in equipment damage, poor freezer performance, health hazards, or personal injury.



This appliance is to be used only by trained personnel. It is not intended for use by children or people with reduced physical, sensory, or mental capabilities, or lack of experience and knowledge, unless given supervision or instruction concerning the use of the appliance by a person responsible for their safety. Children should be supervised to ensure that they do not play with the appliance.



This unit is provided with an equipotential grounding lug that is to be properly attached to the rear of the frame by the authorized installer. The installation location is marked by the equipotential bonding symbol (5021 of IEC 60417-1) on both the removable panel and the equipment's frame.



DO NOT use a water jet to clean or rinse the freezer. Failure to follow these instructions may result in serious electrical shock.



- **DO NOT** operate the freezer unless it is properly grounded.
- **DO NOT** operate the freezer with larger fuses than specified on the freezer data label.
- All repairs must be performed by an authorized Taylor service technician.
- The main power supplies to the machine must be disconnected prior to performing any repairs.
- For Cord Connected Units: Only Taylor authorized service technicians or licensed electricians may install a plug or replacement cord on these units.
- Stationary appliances which are not equipped with a power cord and a plug or another device to disconnect the appliance from the power source, must have an all-pole disconnecting device with a contact gap of at least 3 mm installed in the external installation.
- Stationary appliances which are not equipped with a power cord and a plug or another device to disconnect the appliance from the power source must have an all-pole disconnecting device with a contact gap of at least 3 mm installed in the external installation.
- Appliances that are permanently connected to fixed wiring and for which leakage currents may exceed 10 mA, particularly when disconnected or not used for long periods, or during initial installation, shall have protective devices such as a GFI, to protect against the leakage of current, installed by the authorized personnel to the local codes.

- Supply cords used with this unit shall be oil-resistant, sheathed flexible cable not lighter than ordinary polychloroprene or other equivalent synthetic elastomer-sheathed cord (Code designation 60245 IEC 57) installed with the proper cord anchorage to relieve conductors from strain, including twisting, at the terminals and protect the insulation of the conductors from abrasion.

If the supply cord is damaged, it must be replaced by the manufacturer, its service agent, or similarly qualified person, in order to avoid a hazard.

Failure to follow these instructions may result in electrocution. Contact your local authorized Taylor Distributor for service.



- **DO NOT** allow untrained personnel to operate this machine.
- **DO NOT** operate the freezer unless all service panels and access doors are restrained with screws.
- **DO NOT** remove any internal operating parts (example: freezer door, beater, scraper blades, etc.) unless all control switches are in the OFF position.

Failure to follow these instructions may result in severe personal injury from hazardous moving parts.



This unit has many sharp edges that can cause severe injuries.

- **DO NOT** put objects or fingers in the door spout. This may contaminate the product and cause severe personal injury from blade contact.
- **USE EXTREME CAUTION** when removing the beater assembly. The scraper blades are very sharp.



This freezer must be placed on a level surface. Failure to comply may result in personal injury or equipment damage.



Access to the service area of the unit is restricted to persons having knowledge and practical experience with the appliance, in particular as far as safety and hygiene are concerned.



Cleaning and sanitizing schedules are governed by your state or local regulatory agencies and must be followed accordingly. Please refer to the cleaning section of this manual for the proper procedure to clean this unit.



This machine is designed to maintain product temperature under 41°F (5°C). Any product being added to this machine must be below 41°F (5°C). Failure to follow this instruction may result in health hazards and poor freezer performance.

DO NOT run the unit without product. Failure to follow this instruction can result in damage to the unit.

DO NOT obstruct air intake and discharge openings:

Air cooled units require a minimum of 3" (76 mm) of clearance around **all** sides of the freezer and 12" (305 mm) on top to allow for adequate air flow across the condenser(s). Failure to allow adequate clearance can reduce the refrigeration capacity of the freezer and possibly cause permanent damage to the compressor.

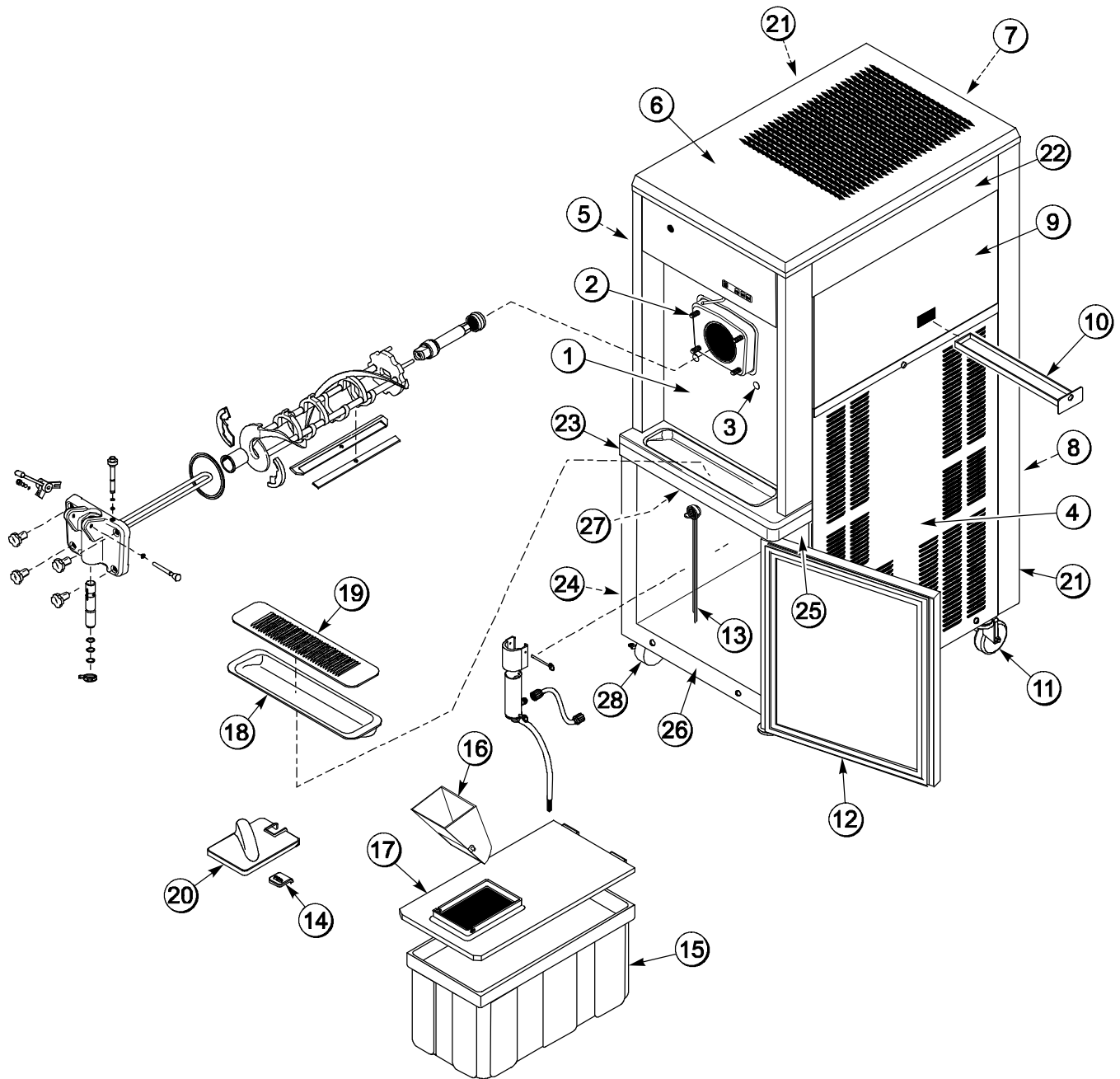
For Indoor Use Only: This unit is designed to operate indoors, under normal ambient temperatures of 70° - 75°F (21° - 24°C). The freezer has successfully performed in high ambient temperatures of 104° (40°C) at reduced capacities.

NOISE LEVEL: Airborne noise emission does not exceed 78 dB(A) when measured at a distance of 1.0 meter from the surface of the machine and at a height of 1.6 meters from the floor.

Section 4

Operator Parts Identification

Model 8752

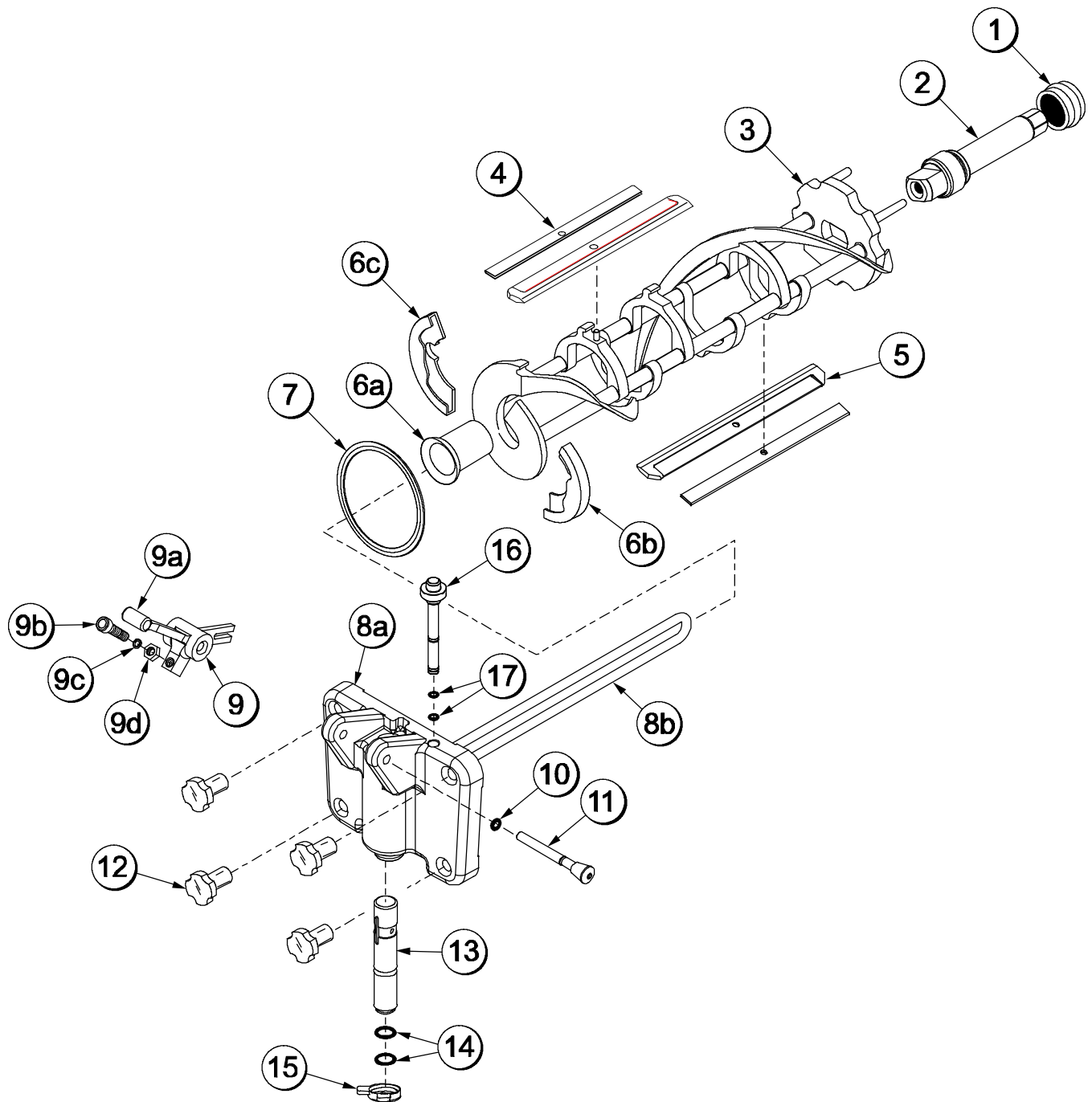


8752 Parts Identification

Item	Description	Part No.
1	Panel A.- Front	X22997
2	Stud- Nose Cone	022822
3	Bolt- Carriage	012347
4	Panel A.- Lower Side (R & L)	X23956
5	Panel- Upper Side Left	028599
6	Hood	050464
7	Panel- Upper Rear	022074
8	Panel- Lower Rear	025128
9	Panel- Upper Side Right	028600
10	Pan- Drip 11 - 5/8" Long	027503
11	Caster- Swivel 3/4- 10, 3" Wheel	021279
12	Gasket- Cabinet Mix Door	020134
13	Probe A.- Mix	X35981
14	Boot- Mix Cover	037200
15	Tank- Mix	020275

Item	Description	Part No.
16	Funnel- Mix	036637
17	Cover A.- Mix Tank	X38726
18	Tray- Drip 16- 7/8 x 5- 1/8	020157
19	Shield- Splash 23" Long	022765
20	Cover- Mix Storage- Center Single	038827
21	Trim- Rear Corner	022071
22	Trim A.- Upper Side Left/Right	X22423
23	Trim A.- Shelf	X20426
24	Trim- Front- Left	024824- SP
25	Trim- Front- Right	024825
26	Trim- Bottom Mix Door	024974
27	Trim- Mix Door	024976
28	Caster- 3" SWV 3/4- 10 Stem w/Brake	030307

8752 Beater Door Assembly



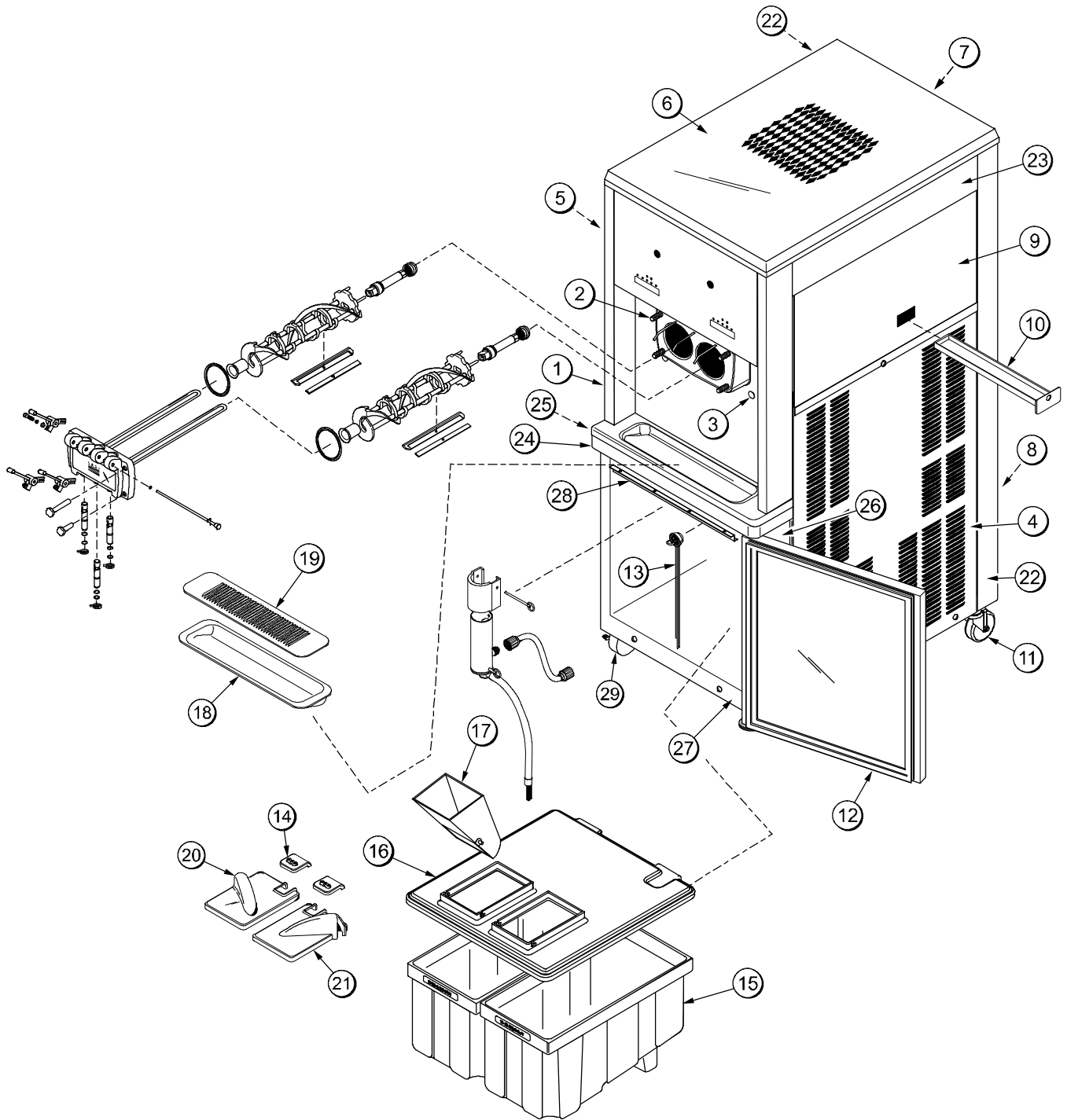
8752 Beater Door Parts Identification

Item	Description	Part No.
1	Seal- Drive Shaft	032560
2	Shaft- Beater	032564
3	Beater A.- 3.4 Qt. 1 Pin	X46231
4	Clip- Scraper Blade	046236
5	Blade- Scraper- Plastic	046235
6	Kit A.- Beater- Front Shoes- Brg	X50350
*6a	Bearing- Front	*See note
*6b	Shoe- Front Helix- Front	*See note
*6c	Shoe- Front Helix- Rear	*See note
7	Gasket- Door HT 4" Double	048926
8	Door A.- 1 Spout Long Baffle	X51531- 10
8a	Door A.- Magnet	X68625- 2
8b	Baffle A.- Long 4"	X50882

Item	Description	Part No.
9	Handle A.- Draw- Adjustable	X55096
9a	Handle- Adjustable	028804
9b	Screw- Adjustment	055092
9c	O- Ring (Adj. Screw)	015872
9d	Nut- Jam 5/16- 24	029639- BLK
10	O- Ring - 5/16 OD x .070 W	016272
11	Pin A.- Pivot	X22820
12	Nut- Stud	021508
13	Valve A.- Draw	X18303
14	O- Ring - 7/8 OD x .103 W	014402
15	Cap- Design - 1.010" ID	014218
16	Plug- Prime	028805
17	O- Ring - 3/8 OD x .070 W	016137

*Order as X50350 only.

Model 8756

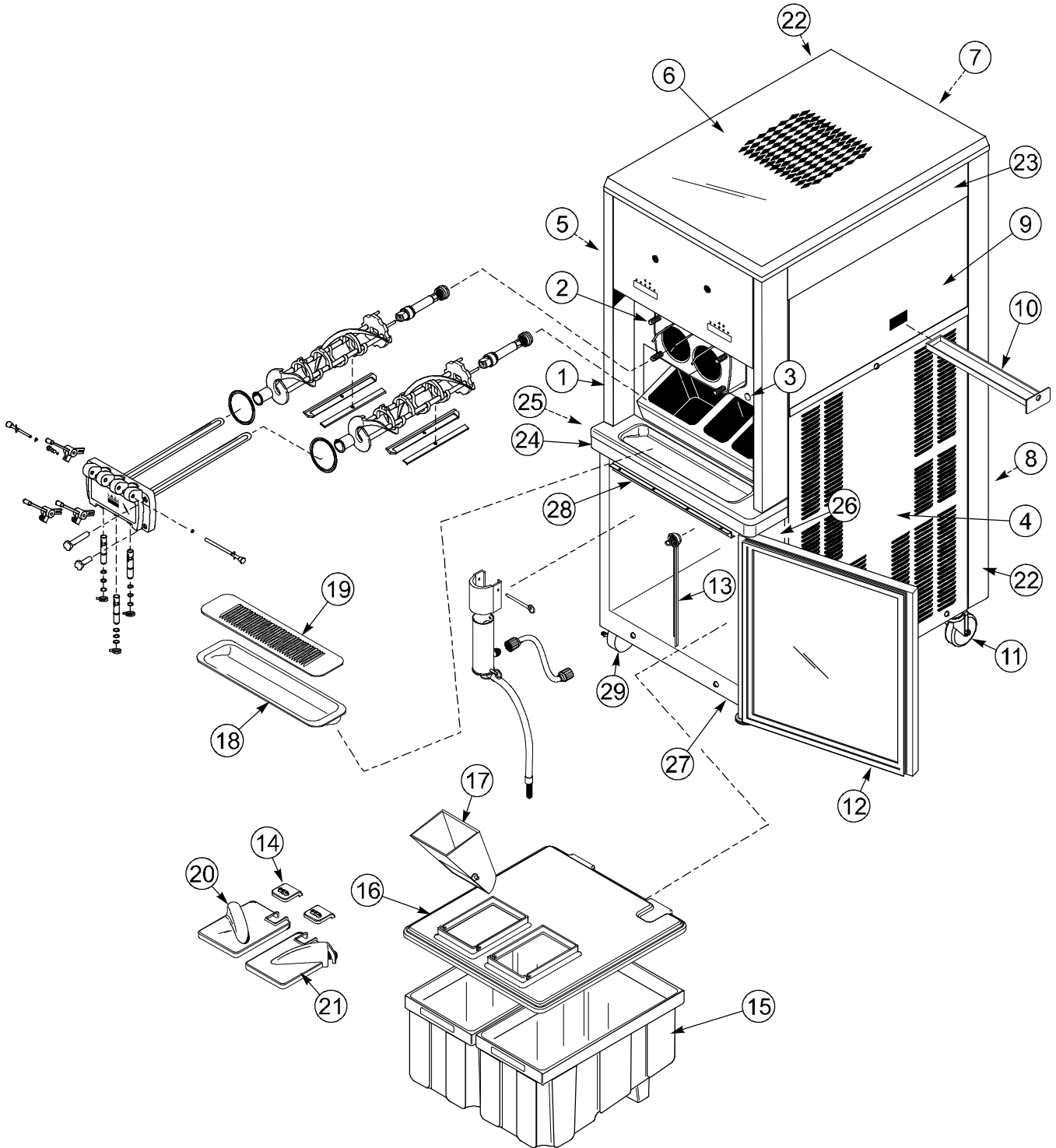


8756 Parts Identification

Item	Description	Part No.
1	Panel A.- Front	X22879
2	Stud- Nose Cone	022822
3	Bolt- Carriage	012347
4	Panel A.- Lower Side (R & L)	X23956
5	Panel- Upper Side Left	028599
6	Hood	048526
7	Panel- Upper Rear	022015
8	Panel- Lower Rear	023598
9	Panel- Upper Side Right	028600
10	Pan- Drip 17- 1/4" Long	027504
11	Caster- Swivel 3/4- 10, 3" Wheel	021279
12	Gasket- Cabinet Mix Door	024629
13	Probe A.- Mix (2)	X35981
14	Boot- Mix Cover	037200
15	Tank A.- Mix w/Decals	X38755
15a	Tank (only)	034928

Item	Description	Part No.
16	Cover- Mix Tank	024590
17	Funnel- Mix	036637
18	Tray- Drip 22- 7/8 x 5- 1/8	014533
19	Shield- Splash 23" Long	022766
20	Cover- Left Mix Storage	037138
21	Cover- Right Mix Storage	037139
22	Trim- Corner- Left/Right	022013
23	Trim A.- Side Left/Right	X22424
24	Trim A.- Shelf	X24813
25	Trim- Front- Left	024824- SP
26	Trim- Front- Right	024825
27	Trim- Bottom Cabinet	024826
28	Strip- Top Trim	024827
29	Caster- 3" Swv 3/4- 10 Stem w/Brake	030307

Model 8757

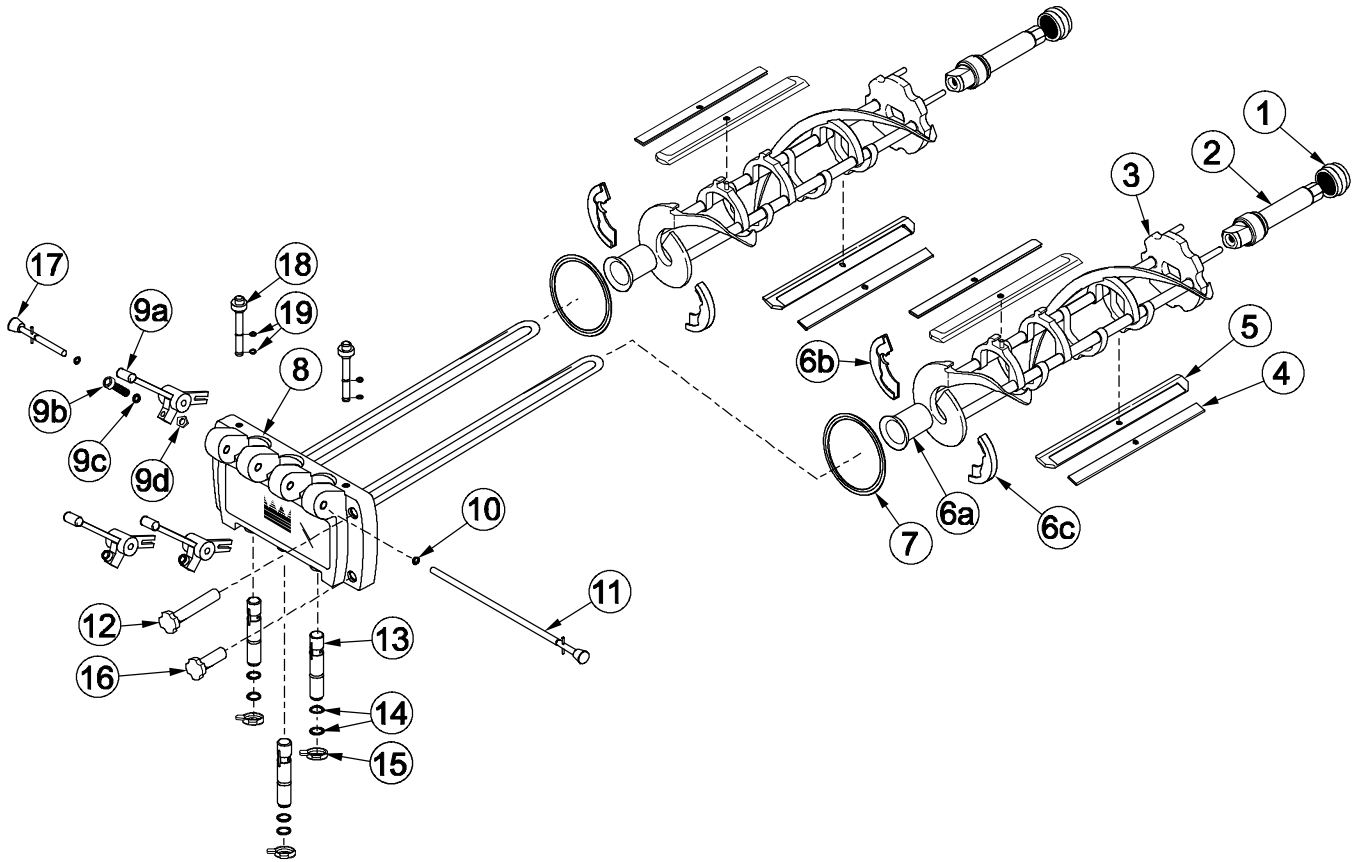


8757 Parts Identification

Item	Description	Part No.
1	Panel A.- Front	X36711
2	Stud- Nose Cone	022822
3	Bolt- Carriage 1/4- 20 x 3/4	012347
4	Panel A.- Lower Side- L/R	X36741
5	Panel- Upper Side Left	028599
6	Hood	048526
7	Panel- Upper Rear	042068
8	Panel- Lower Rear	042067
9	Panel- Upper Side Right	028600
10	Pan- Drip	036232
11	Caster- Swivel 3/4- 10 ST	021279
12	Gasket- Cabinet- Mix Door	024629
13	Probe A.- Mix	X35981
14	Boot- Mix Cover	037200
15	Tank- Mix	X38755
15a	Tank (only)	034928

Item	Description	Part No.
16	Cover- Mix Tank	024590
17	Funnel- Mix	036637
18	Tray- Drip	014533
19	Shield- Splash 23" Long	022766
20	Cover- Mix Storage Left	037138
21	Cover- Mix Storage Right	037139
22	Trim- Rear Corner- Left/Right	036740
23	Trim A.- Side Left/Right	X22424
24	Trim A.- Shelf	X36732
25	Trim- Front- Left	024824- SP
26	Trim- Front- Right	024825
27	Trim- Bottom Cabinet	024826
28	Strip- Top Trim	024827
29	Caster- 3" Swv 3/4- 10 Stem w/Brake	030307

8756 & 8757 Beater Door Assembly

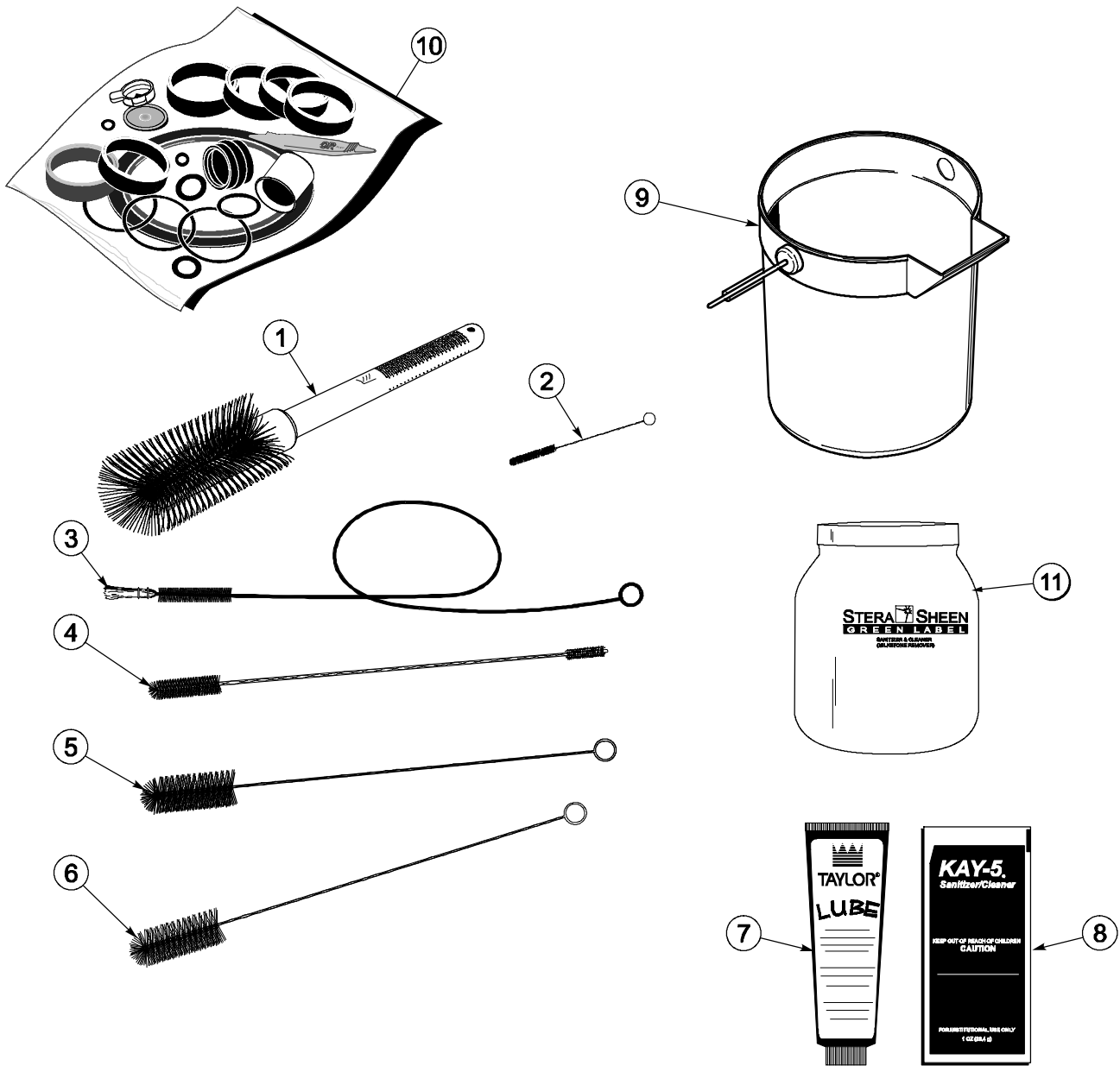


Item	Description	Part No.
1	Seal- Drive Shaft	032560
2	Shaft- Beater	032564
3	Beater A. - 3.4 Qt. 1 Pin	X46231
4	Clip- Scraper Blade	046236
5	Blade- Scraper- Plastic	046235
*6a	Bearing- Front	050348
*6b	Shoe- Front Helix- Rear	050346
*6c	Shoe- Front Helix- Front	050347
7	Gasket- Door 4" Double	048926
8	Door A. - 3 Spout Long Baffle	X51532- 12
9	Handle A. - Draw- Adj.	X33687
9a	Draw Handle- Adj.	028804
9b	Screw- Adjustment	033662

Item	Description	Part No.
9c	O- Ring (Adj. Screw)	015872
9d	Nut- Jam 5/16- 24	029639- BLK
10	O- Ring - 5/16 OD x .070 W	016272
11	Rod A. - Pivot	X22387
12	Nut- Stud (Long)	034382
13	Valve A. - Draw (3)	X18303
14	O- Ring - 7/8 OD x .103 W (6)	014402
15	Cap- Design - 1.010" ID	014218
16	Nut- Stud (Short)	034383
17	Rod A. - Pivot	X22388
18	Plug- Prime (2)	028805
19	O- Ring - 3/8 OD x .070 W (4)	016137

*Order Kit X50350

Accessories



Item	Description	Part No.
1	Brush- Mix Pump Body	023316
2	Brush- Pressure Switch	027647
3	Brush- Feed Tube	021101
4	Brush- Double Ended	013072
5	Brush- Rear Bearing	013071
6	Brush- Draw Valve	013073
7	Lubricant- Taylor 4 oz.	047518

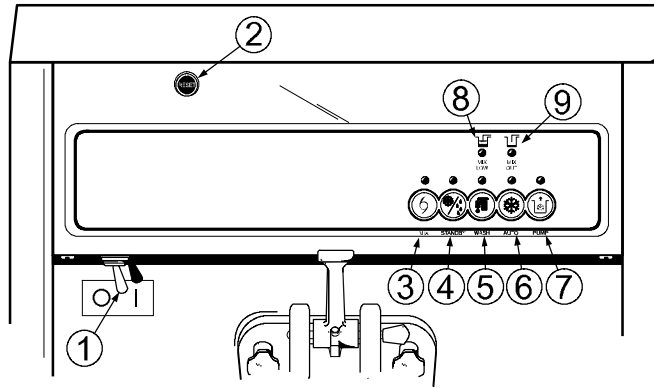
Item	Description	Part No.
8	Sanitizer- Kay- 5	*See note
9	Pail- 10 Qt.	013163
10	Kit A.- Tune Up (Model 8752)	X49463- 15
	Kit A.- Tune Up (Models 8756 & 8757)	X49463- 2
11	Sanitizer- Stera Sheen- Green (8752, 8756, 8757)	*See note

***Note:** A sample container of sanitizer is sent with the unit. For reorders, order Stera Sheen part no. 055492 (100 2 oz. packs) or Kay- 5 part no. 041082 (200 packs).

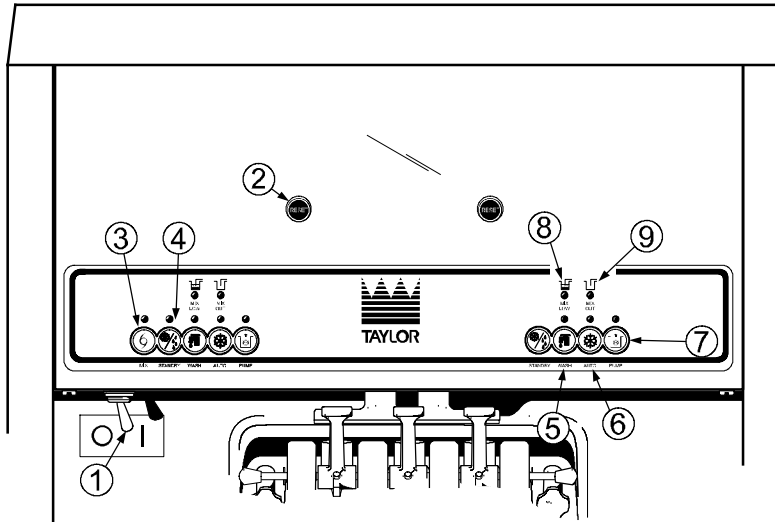
Section 5

Important: To the Operator

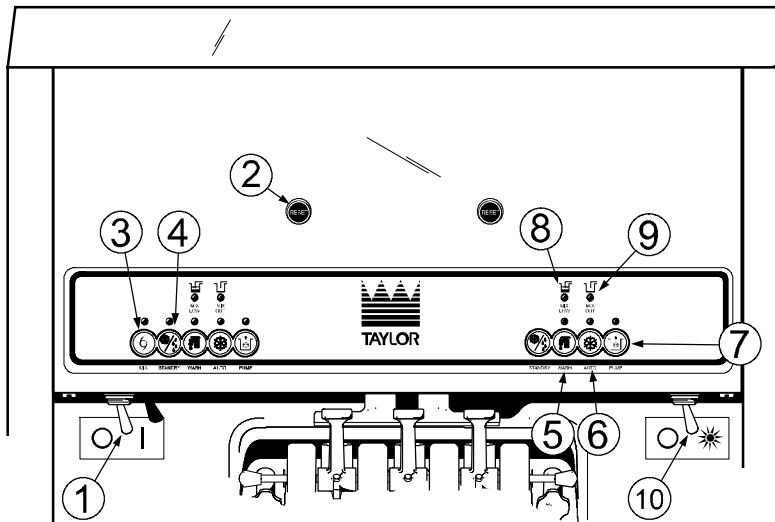
Model 8752



Model 8756



Model 8757




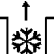




Parts Identification for 8752, 8756, & 8757

Item	Description
1	Power Switch (Toggle)
2	Reset Switch
3	Mix Refrigeration Control
4	STANDBY Key
5	WASH Key
6	AUTO Key
7	PUMP Key
8	Mix Low Indicator
9	Mix Out Indicator
10	Heater Switch

Symbol Definitions

To better communicate in the International arena, the words on many of our operator switches and buttons have symbols to indicate their functions. Your Taylor equipment is designed with these International symbols.

	= AUTO
	= ON
	= OFF
	= MIX REF
	= WASH
	= PUMP
	= STANDBY
	= MIX LOW
	= MIX OUT
	= HEATER ON

Power Switch

When placed in the ON position, the power switch allows SOFTECH control panel operation.

Indicator Lights - MIX LOW and MIX OUT

When the MIX LOW light begins to flash, it indicates the mix tank has a low supply of mix and should be refilled as soon as possible. When the MIX OUT light begins to flash, it indicates the mix tank has been almost completely exhausted and has an insufficient supply of mix to operate the freezer. At this time, the STANDBY and AUTO modes are locked out and the freezer shuts down. To initiate the refrigeration system, add mix to the tank and press the AUTO key. The freezer will automatically begin operation.

Reset Button

The reset button is located in the decorative plate above the SOFTECH controls. The reset protects the beater motor from an overload condition. Should an overload occur, the reset mechanism will trip. To properly reset the freezer, press the AUTO key to cancel the cycle. Turn the power switch to the OFF position. Press the reset button firmly. Turn the power switch to the ON position. Press the WASH key and observe the freezer's performance. Open the side access panel to check if the beater motor is turning the drive shaft in a clockwise (from operator end) direction without binding.

If it is turning properly, press the WASH key to cancel the cycle. Press the AUTO key to resume normal operation. (For the Models 8756 and 8757, press the AUTO key on both sides to resume normal operation.) If the freezer shuts down again, contact a service technician.

SOFTECH Control Operation

MIX REF

When the MIX REF key is pressed, the light comes on, indicating the mix cabinet refrigeration system is operating. (For the Models 8756 and 8757, there are two touch-tone panels, one for each freezing cylinder. The mix refrigeration system is controlled by the MIX REF key found on the left panel. By pressing the AUTO key on either side of the freezer, the MIX REF function is automatically turned on.) The MIX REF function cannot be cancelled unless the AUTO or STANDBY mode is cancelled first.

Standby

During long “No Sale” periods it becomes necessary to warm the product in the freezing cylinder to approximately 35° to 40°F (1.7° to 4.4°C) to prevent overheating and product breakdown.

When the STANDBY key is pressed, the light comes on, indicating the CTR (Cylinder Temperature Retention System) has been activated. In the STANDBY mode, the WASH, PUMP, and AUTO functions are automatically cancelled. The MIX REF function is automatically locked in to maintain the mix in the cabinet.

To resume normal operation, press the AUTO key. When the unit cycles off, the product in the freezing cylinder will be at serving viscosity.

Wash

When the WASH key is pressed, the light comes on, indicating beater motor operation. The STANDBY or AUTO modes must be cancelled first to activate the WASH mode.

Auto

When the AUTO key is pressed, the light comes on indicating the main refrigeration system has been activated. In the AUTO mode, the WASH or STANDBY functions are automatically cancelled. The MIX REF function is automatically locked in to maintain the mix in the cabinet and the PUMP function is locked in to allow air/mix pump operation as required.

Pump

When the PUMP key is pressed, the light comes on indicating the air/mix pump will operate as required.

Note: An indicating light and an audible tone will sound whenever a mode of operation has been pressed. To cancel any function, press the PUMP key again and the light and mode of operation will shut off.

Adjustable Draw Handle

These units feature an adjustable draw handle to provide the best portion control, giving a better, consistent quality to your product and controlling costs. The draw handle should be adjusted to provide a flow rate of 5 to 7- 1/2 oz. of product by weight per 10 seconds. To **increase** the flow rate, turn the screw **counterclockwise**. To **decrease** the flow rate, turn the screw **clockwise**.

In addition, for purposes of sanitizing and rinsing, the flow rate can be increased by removing the pivot pin and placing the restrictive bar on the **top**. When drawing product, **always** have the restrictive bar on the **bottom**.

IMPORTANT! When dispensing product, pull only one draw handle at a time.

Section 6

Operating Procedures

The Model 8752 has been selected to show you the pictured step-by-step operating procedures for both models contained in this manual. These models, for all practical purposes of operation, are the same.

The size of the freezing cylinder(s) is 3.4 quarts (3.2 liters). The Model 8752 has one freezing cylinder and the Models 8756 and 8757 have two freezing cylinders. Mix is stored in the lower front refrigerated compartment and is pumped up to the freezing cylinder by an air/mix pump.

Duplicate the following procedures, where they apply, for the second freezing cylinder on the Models 8756 and 8757.

We begin our instructions at the point where we enter the store in the morning and find the parts laid out to air dry from the previous night's brush cleaning.

If you are disassembling the machine for the first time or need information to get to this starting point in our instructions, turn to page 34, "Disassembly" and start there.

Prior to Set-Up (Model 8757)

Step 1

Remove the two stainless syrup jars with topping pumps, from the syrup rail. Check the water level in the heated syrup topping well. Make sure the water is filled to the indicating mark on the bottom of the well. (The heated rail should have 32 ounces [946.2 ml.] of water.)

Step 2

Place the heater switch in the ON position.

Note: This heating process will take approximately two and one-half hours to reach temperature. The water level in the topping wells must be checked at least once daily.

Step 3

Prepare a pail of an approved 100 PPM sanitizing solution (examples: Stera Sheen® or Kay-5®). Use WARM WATER ACCORDING TO THE MANUFACTURER'S SPECIFICATIONS. Sanitize the topping pumps by placing the entire pump assembly in the pail of sanitizing solution. Pump the solution through to thoroughly sanitize the pump.

Step 4

Fill the two heated and the two cold syrup jars with topping. Replace the topping pumps in the heated syrup jars. Sanitize two topping ladles and place them in the cold syrup jars.

Assembly



MAKE SURE THE CONTROL SWITCH IS IN THE "OFF" POSITION. Failure to follow this instruction may result in electrocution or injury to fingers or hands from hazardous moving parts.

Step 1

To install the drive shaft, lubricate the groove and shaft portion that comes in contact with the bearing on the beater drive shaft. Slide the seal over the shaft and groove until it snaps into place. DO NOT lubricate the hex end of the drive shaft. Fill the inside portion of the seal with 1/4" more lubricant and evenly lubricate the end of the seal that fits onto the rear shell bearing.

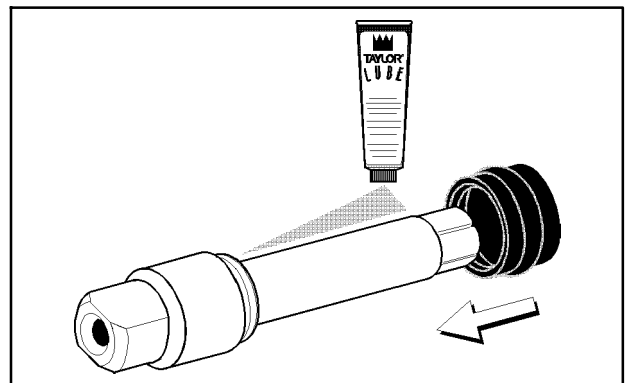


Figure 1

Install the drive shaft through the rear shell bearing in the freezing cylinder and engage the hex end firmly into the gear box coupling. Be sure the drive shaft fits into the drive coupling without binding.

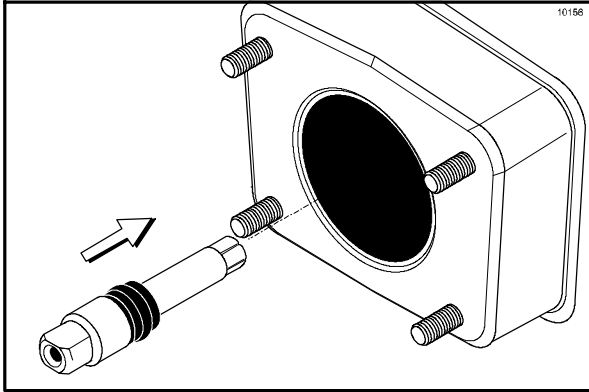


Figure 2

Step 2

Install the beater assembly. First check the scraper blades for any nicks or signs of wear. If any nicks are present, replace both blades. If the blades are in good condition, install the scraper blade clips on the scraper blades. Place the rear scraper blade over the rear holding pin on the beater.

Note: The hole on the scraper blade must fit securely over the pin to prevent costly damage.

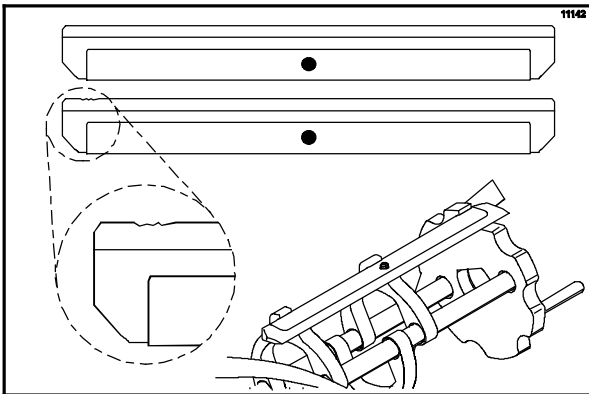


Figure 3

Holding the rear blade on the beater, slide it into the freezing cylinder half way. Install the front scraper blade over the front holding pin.

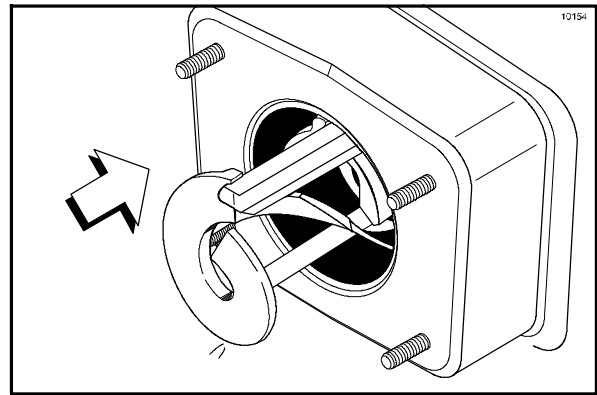


Figure 4

Install the beater shoes.

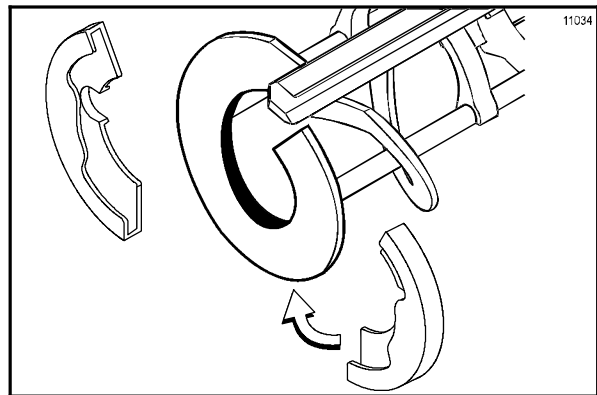


Figure 5

Slide the beater assembly the rest of the way into the freezing cylinder.

Make sure the beater assembly is in position over the drive shaft. Turn the beater slightly to be certain that the beater is properly seated. When in position, the beater **will not** protrude beyond the front of the freezing cylinder.

Repeat Steps 1 and 2 for the other side of the freezers on the Models 8756 and 8757.

Step 3

Assemble the freezer door. Place the large rubber gasket(s) in the groove(s) on the back side of the freezer door.

Slide the white plastic front bearing(s) over the baffle rod(s), making certain that the flanged end of the bearing is resting against the freezer door. **DO NOT** lubricate the gasket(s) or front bearing(s).

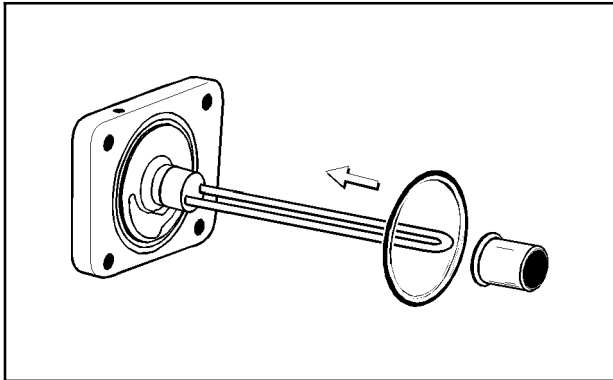


Figure 6

Note: There are two gaskets and two front bearings for the Models 8756 and 8757 door, one for each freezing cylinder.

Slide the o-rings into the grooves on the prime plug(s). Apply an even coat of lubricant to the o-rings and shaft(s).

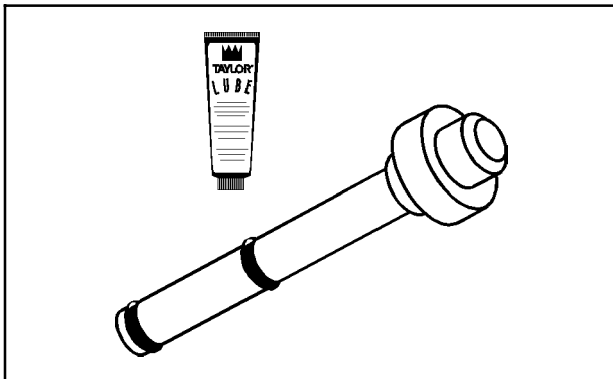


Figure 7

Note: There are two prime plugs for the Models 8756 and 8757 door, one for each freezing cylinder.

Insert the prime plug(s) into the hole(s) at the top of the freezer door and push down.

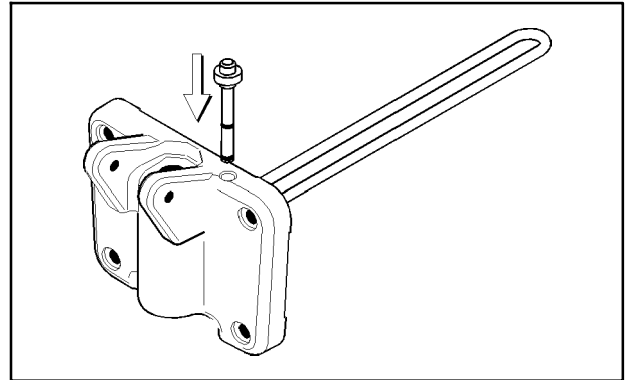


Figure 8

Step 4

Install the freezer door. Insert the baffle rod(s) through the beater(s) in the freezing cylinder(s). With the door seated on the freezer studs, install the handscrews. Tighten equally in a criss-cross pattern to insure the door is snug.

Note: On the Models 8756 and 8757, the short handscrews go on the bottom and the long handscrews go on the top.

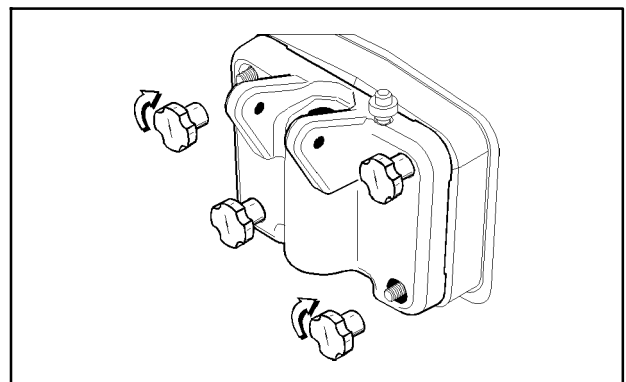


Figure 9

Step 5

Install the draw valve(s). Slide the two o-rings into the grooves on the draw valve(s) and lubricate.

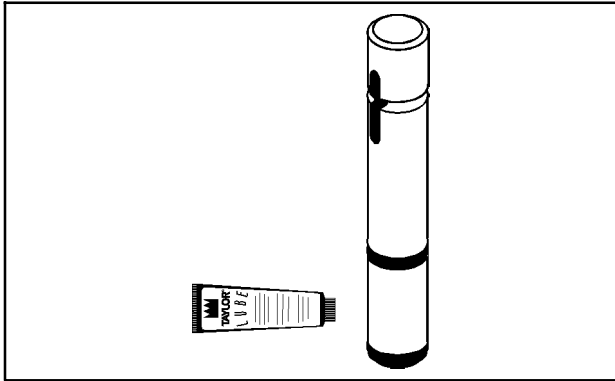


Figure 10

Note: The Models 8756 and 8757 have three draw valves.

Lubricate the inside of the freezer door spout(s), top and bottom, and insert the draw valve(s) from the **bottom** until the slot in the draw valve(s) comes into view.

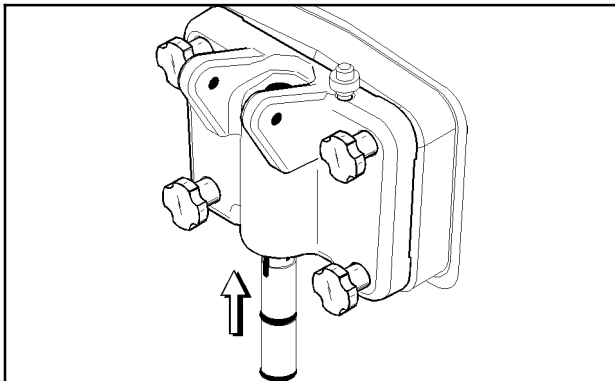


Figure 11

Step 6

Install the adjustable draw handle(s). Slide the o-ring(s) into the groove(s) on the pivot pin(s) and lubricate.

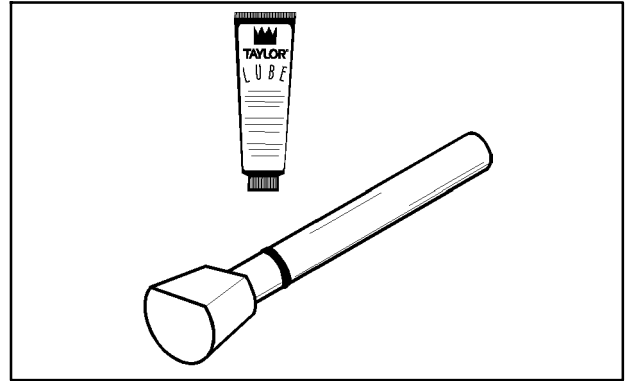


Figure 12

Slide the fork of the draw handle(s) in the slot of the draw valve(s). Secure with pivot pin.

Note: The Models 8756 and 8757 have three draw handles and two pivot pins. Slide the fork of the draw handle in the slot of the draw valve, starting from the right. Slide the long pivot pin through the right and middle draw handles. Secure the left draw handle with the short pivot pin.

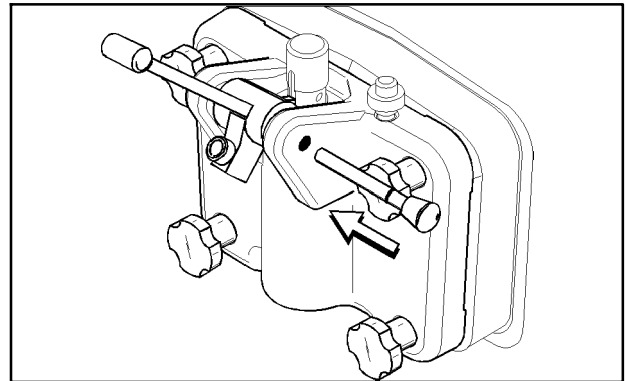


Figure 13

Note: These units feature adjustable draw handles to provide the best portion control, giving a better consistency quality to your product, and controlling costs. The draw handles can be adjusted for different flow rates. See page 19 for more information on adjusting these handles.

Step 7

Snap the design cap over the bottom of each door spout.

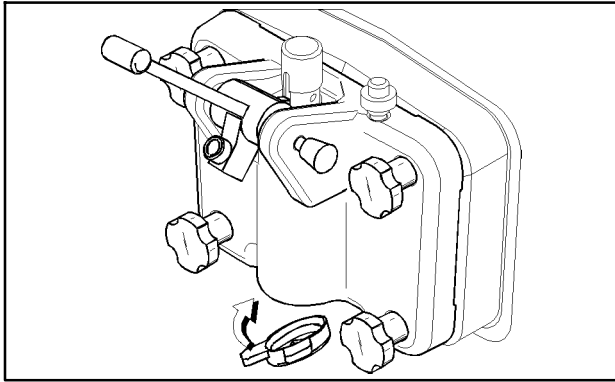


Figure 14

Step 8

Install the rear drip pan. Slide the rear drip pan into the hole in the side panel.

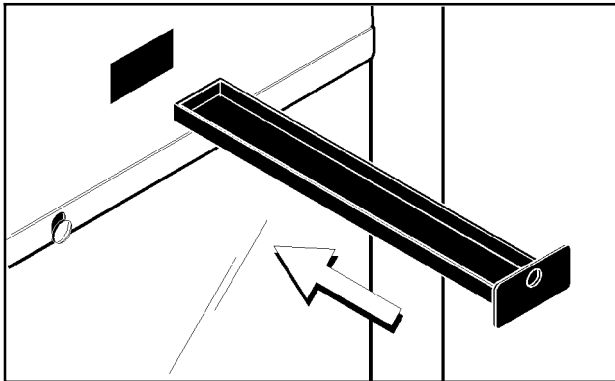


Figure 15

Step 9

Install the front drip tray and the splash shield beneath the door spout(s).

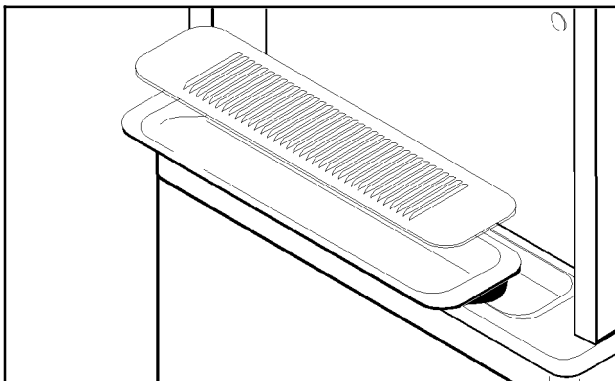


Figure 16

Air/Mix Pump Assembly

The purpose of the air/mix pump is to meter a specific amount of air and mix and transfer this combination to the freezing cylinder.

Refer to the illustration on page 28 for identification of parts during assembly.

Step 1

Assemble the piston. Slide the o-ring into the groove on the piston. **DO NOT** lubricate this o-ring.

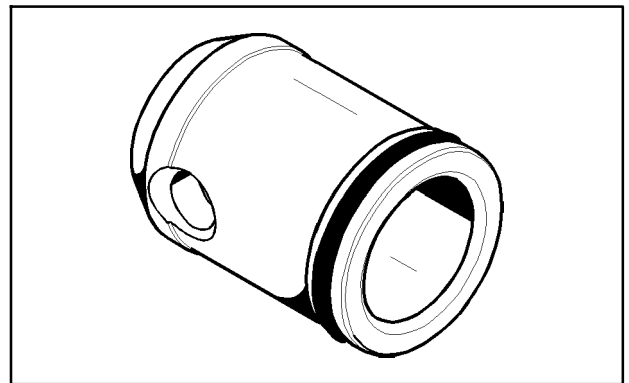


Figure 17

Step 2

Assemble the liquid valve body. Slide the three check bands and three o-rings into the grooves on the liquid valve body. **DO NOT** lubricate the check bands or o-rings.

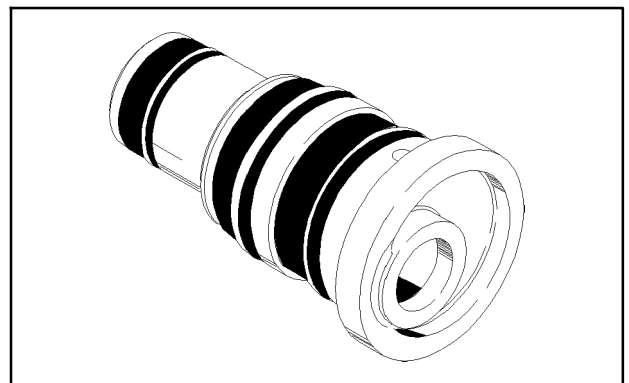


Figure 18

Note: Check bands have two smooth surfaces. A concave shape indicates an incorrect assembly. Turn the check band inside out to correctly expose the flat surface.

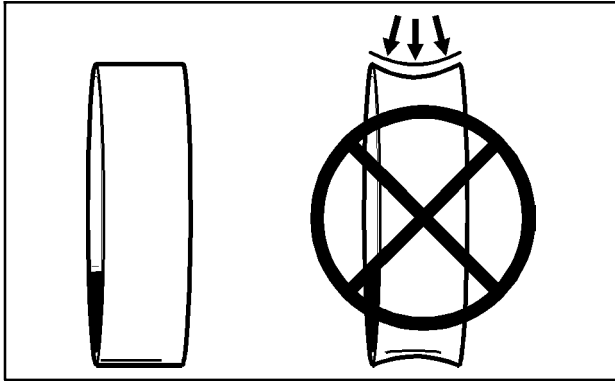


Figure 19

Step 3

Put a small amount of lubricant inside the piston and insert the liquid valve body into the piston.

Apply a small amount of lubricant to the **lower** inside diameter of the pump cylinder to a depth equivalent to the length of your index finger. Once applied, the amount of lubricant should be equal to a paper-thin film.

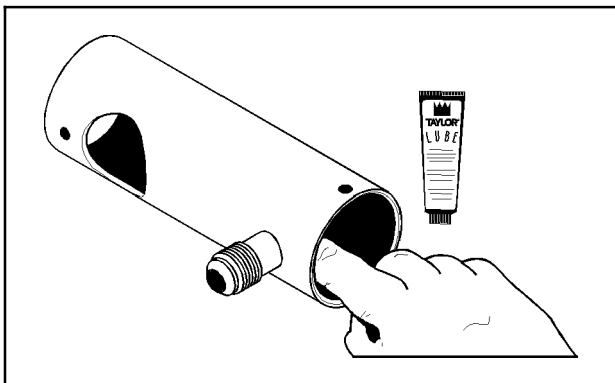


Figure 20

Insert the assembled piston and liquid valve body into the pump cylinder and push upwards. Align the steel button at the base of the liquid valve body with the cut-out groove at the bottom of the pump cylinder.

Note: The drive hole in the piston must be visible through the drive hole in the pump cylinder.

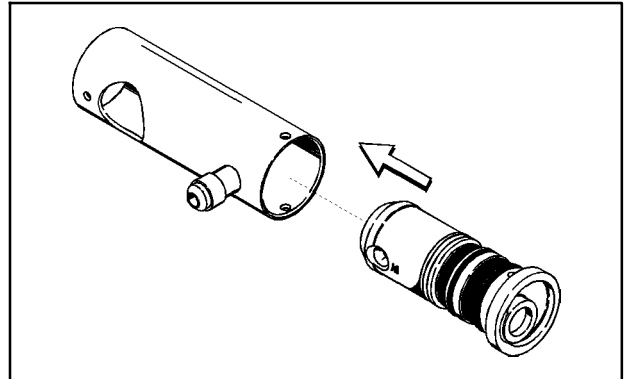


Figure 21

Step 4

Assemble the mix inlet fitting. Slide the o-ring into the groove on the mix inlet fitting and lubricate with Taylor Lube.

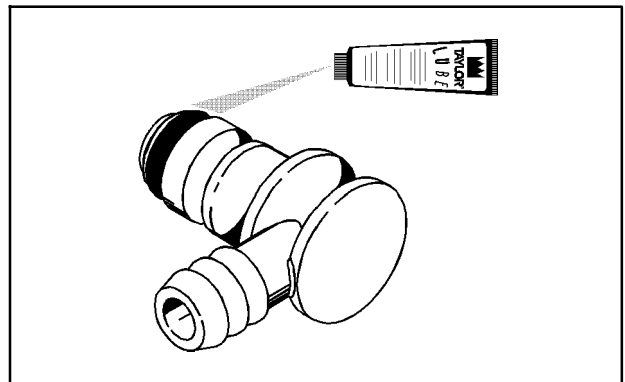


Figure 22

Attach the spring and poppet to the end of the mix inlet fitting above the o-ring. The spring must be securely fastened and not allowed to float freely.

Note: The rubber poppet and spring act as a pressure relief valve to prevent a pressure build-up in the freezing cylinder.

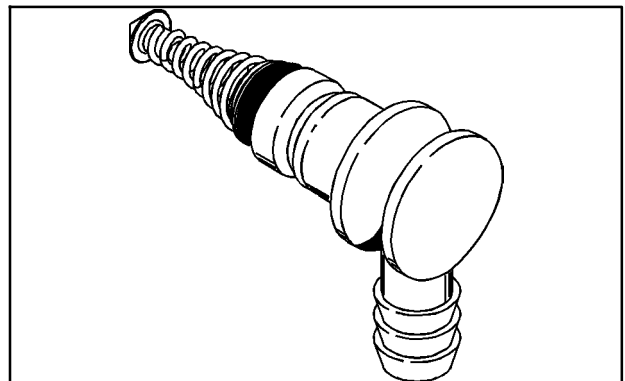


Figure 23

Insert the mix inlet fitting into the hole in the base of the liquid valve body.

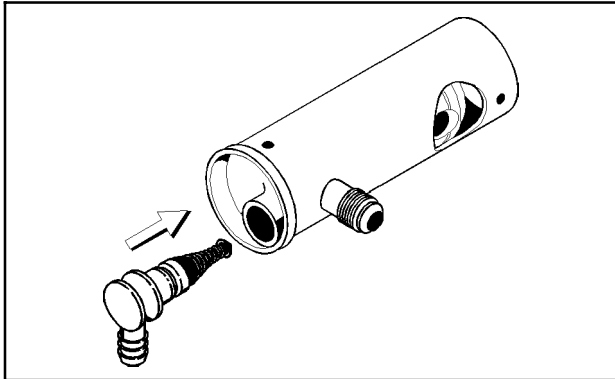


Figure 24

Secure the pump parts in position by sliding the retaining pin through the cross holes located at the bottom of the pump cylinder.

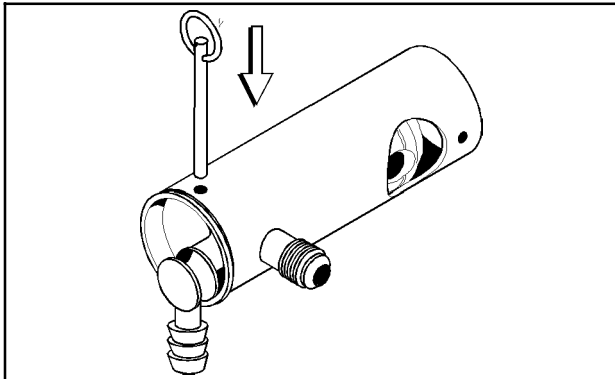


Figure 25

Step 5

Assemble the flare line and suction line. Assemble the weighted end into the suction line. Attach the mix suction line to the barbed end of the mix inlet fitting and allow the weighted end to hang free. **(Note:** The suction line must fit tightly against the mix inlet fitting.)

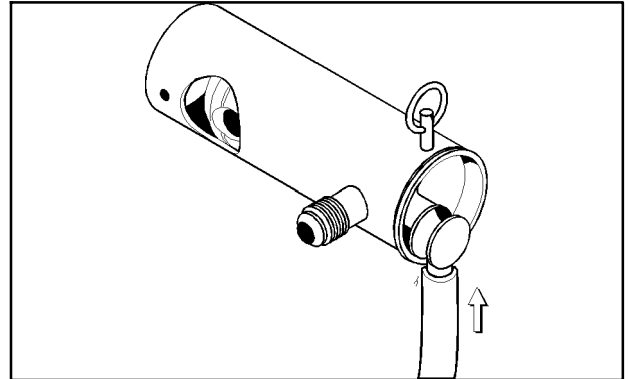


Figure 26

Push both nuts back from the flare end and lightly lubricate the underside of the plastic flare. This will allow the nut to turn freely without twisting the tubing.

Attach one end of the flare line to the threaded fitting on the lower side of the pump cylinder and allow the other end to hang free.

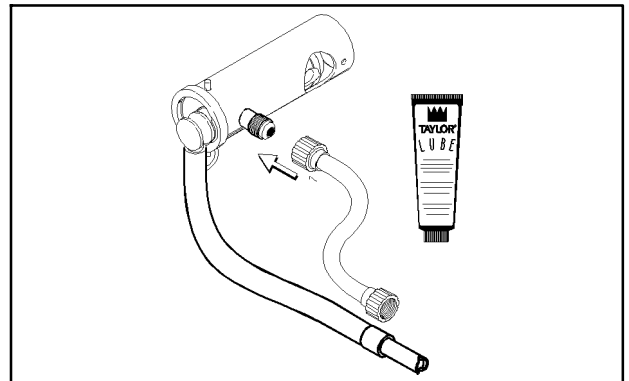


Figure 27

Step 6

Secure the air/mix pump. Place the pump collar over the pump cylinder. (The cross holes of the pump collar should be on top.)

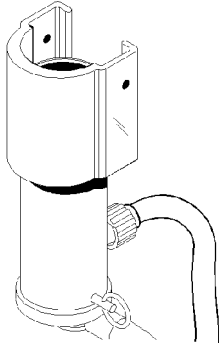


Figure 28

Align the drive hole in the piston to the ball crank of the motor reducer. At the same time, align the locating pin hole in the pump cylinder to the locating pin on the face plate.

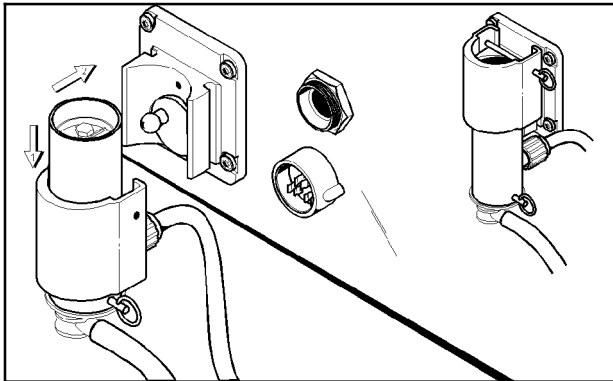


Figure 29

Slide the pump collar upwards into the grooves on the side of the face plate and secure the air/mix pump in place by slipping the retaining pin through the cross holes of the pump collar.

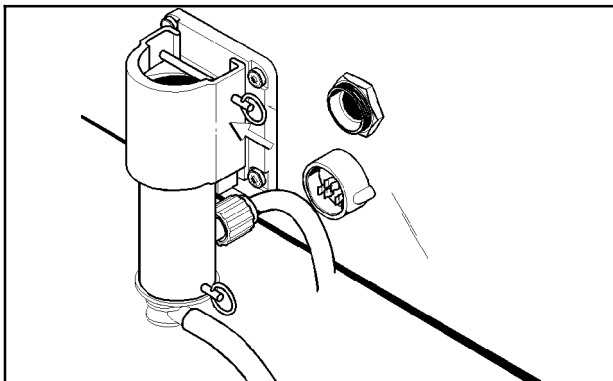


Figure 30

Note: Alignment of the air/mix pump is extremely important. Severe and costly damage may occur if it is not properly aligned.

Step 7

Lubricate both sides of the pressure switch diaphragm.

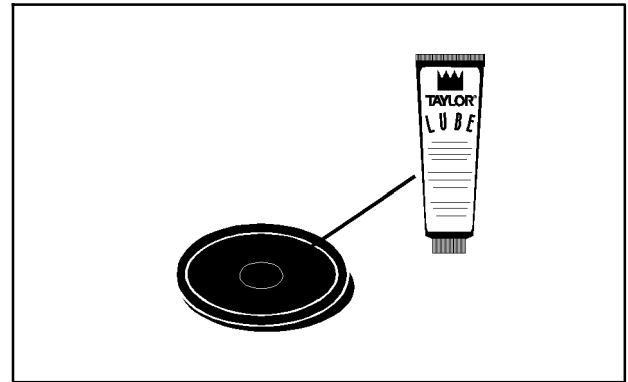


Figure 31

Step 8

Place the diaphragm on the front face of the pressure switch housing. The lubricant will act as an adhesive to hold the diaphragm in place.

Note: **DO NOT** place the diaphragm in the pressure switch cap.

Step 9

Screw the cap onto the housing securely.

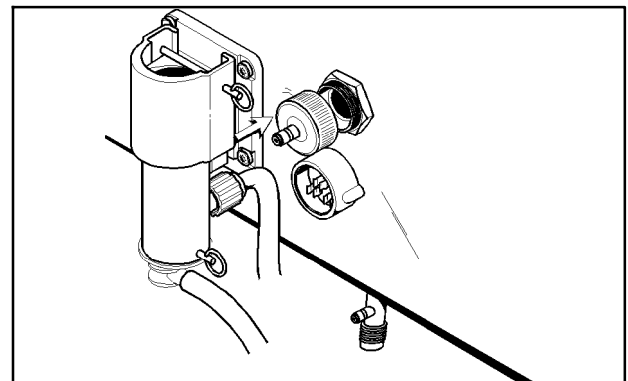
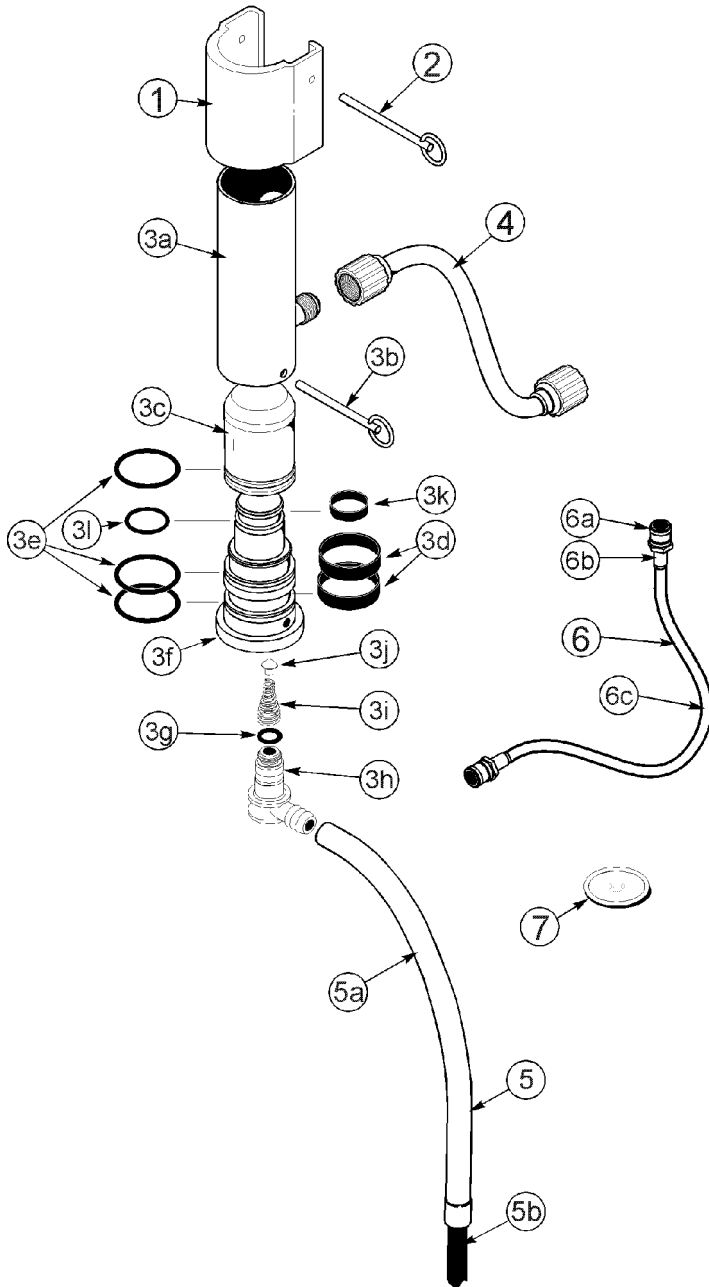


Figure 32

Repeat Steps 1 through 8 for the other side of the freezer on the Models 8756 and 8757.

Air/Mix Pump Assembly Exploded View



Item	Description	Part No.
1	Cap- Pump (Model 8752)	023324
	Cap- Pump (Models 8756/8757)	021276- 9
2	Pin- Retaining	021276- 8
3	Pump Assembly	X36201
3a	Cylinder A.- Pump	022345- 1
3b	Pin- Retaining	021276- 8
3c	Piston	032733
3d	Ring- Check 2" OD x 1/2	020050
3e	O- Ring 2- 1/8 OD x .139 W	020051
3f	Body A.- Valve	X36202
3g	O- Ring - 13/16 OD x .139 W	021278
3h	Elbow- Inlet 90 Degree	022502- 4
3i	Spring- Tapered	022456
3j	Poppet- Rubber- Black	022473
3k	Ring- Check 1- 1/4 OD x 3/8	033215
3l	O- Ring - 1- 3/8 OD x .103 W	018664
4	Line A.- Flare	038299
5	Tube A.- Suction (8752)	X20450
	Tube A.- Suction (8756- 8757)	X37293
5a	Tube- Vinyl 5/8IDx1/8W (8752)	020945- 22
	Tube- Vinyl 5/8IDx1/8W (8756- 8757)	020945- 18
5b	Counterweight- Suction Tube	020452
6	Line A.- Pump Pressure	X27139
6a	Socket- QD 3/16 Barb	020021
6b	Ferrule- 3/8 OD Brass	030553
6c	Tube- Vinyl 3/16 ID x 1/16 W	020940- 16
7	Diaphragm- Pressure Switch	020249

Sanitizing

Step 1

Prepare a pail of approved 100 PPM sanitizing solution (examples: 2- 1/2 gal. [9.5 liters] of Kay- 5® or 2 gal. [7.6 liters] of Stera- Sheen®). USE WARM WATER AND FOLLOW THE MANUFACTURER'S SPECIFICATIONS. Place the pail of sanitizing solution inside the mix cabinet.

Step 2

Brush clean the mix inlet tube with the long brush and sanitizing solution.

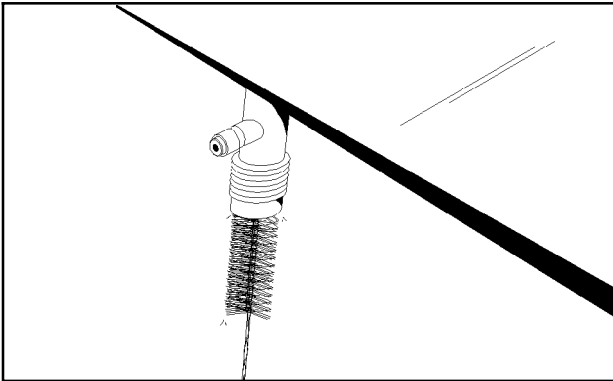


Figure 33

Step 3

Connect the free end of the flare line to the threaded fitting on the mix inlet tube.

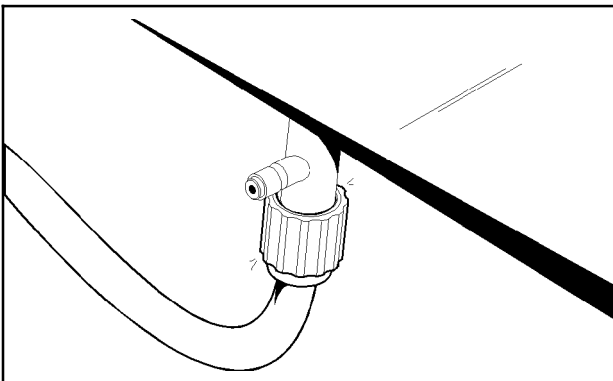


Figure 34

Step 4

Install the pressure line. Attach the quick disconnect fitting of the pressure line to the other fitting on the mix inlet tube just above the flare line and allow the other end to hang free.

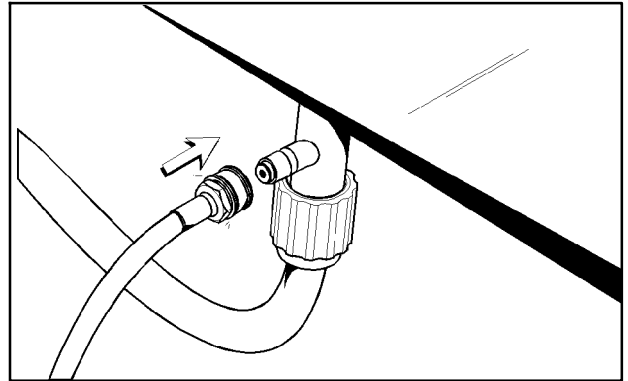


Figure 35

Step 5

Insert the free end of the suction line and pressure line into the pail of sanitizing solution.

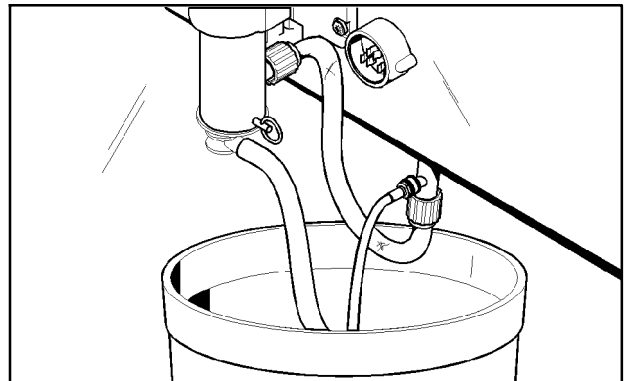


Figure 36

Step 6

Place the power switch in the ON position.

Step 7

Press the PUMP key. A light will come on, indicating the air/mix pump is operating. This action will cause the sanitizing solution to be pumped through the air/mix pump and out through the pressure line. After approximately 15 seconds, press the PUMP key. The light will go out and the pump will stop operation.

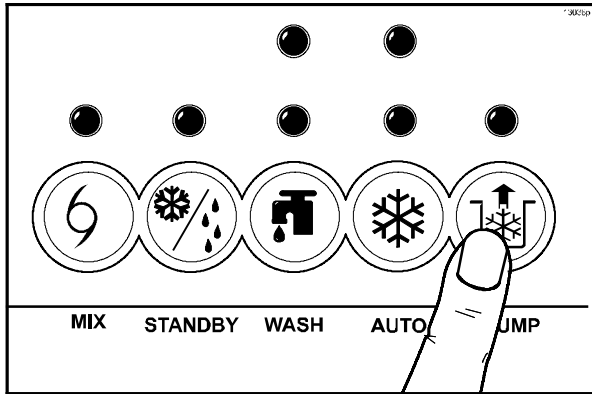


Figure 37

Step 8

Drain and connect the free end of the pressure line to the pressure switch.

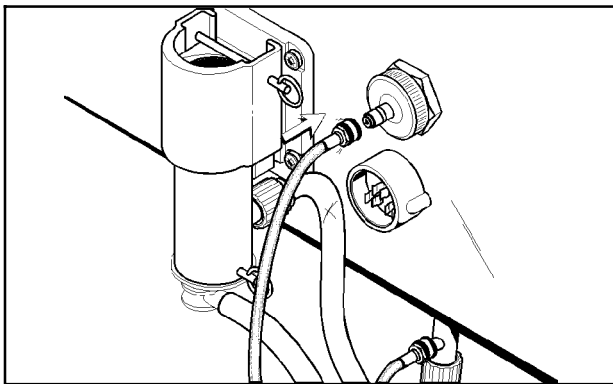


Figure 38

Step 9

Place an empty pail beneath the door spout and raise the prime plug.

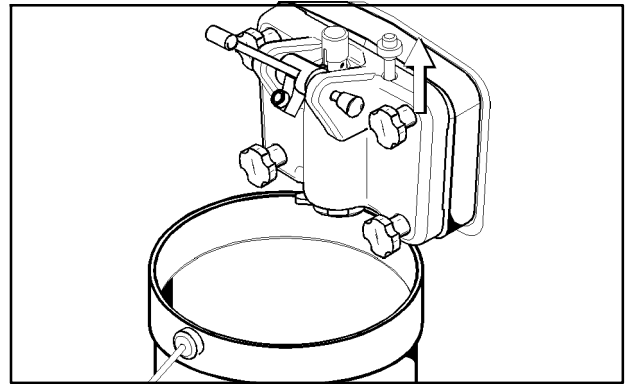


Figure 39

Press the WASH and PUMP keys. The lights will come on, indicating the pump and beater motor are operating. When a **steady** stream of sanitizing solution is flowing from the prime plug hole in the bottom of the freezer door, press the PUMP key, stopping pump operation. Push down the prime plug and allow beater agitation for 5 minutes.

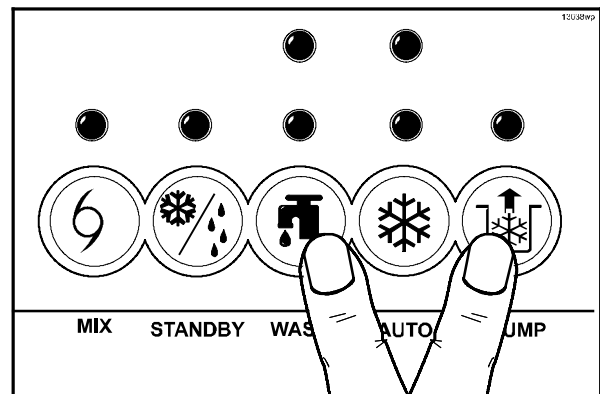


Figure 40

Step 10

After 5 minutes, open the prime plug. Press the PUMP key. Pull the draw handle down and draw off the remaining sanitizer.

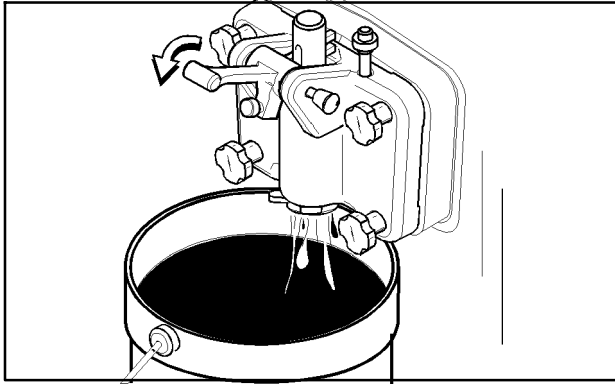


Figure 41

Step 11

Once the sanitizer stops flowing from the door spout, close the draw valve. Press the PUMP and WASH keys to stop operation. Disconnect the pressure line from the pressure switch. Drain the sanitizer and reconnect.

Note: On the Models 8756 and 8757, momentarily pull down the center draw handle to sanitize the center door spout.

Step 12

Repeat Steps 1 through 11 for the second freezing cylinder on the Models 8756 and 8757.

Step 13

Prepare a sink with an approved sanitizing solution (examples: Stera Sheen® or Kay-5®). **USE WARM WATER AND FOLLOW THE MANUFACTURER'S SPECIFICATIONS.**

Step 14

Take the following parts to the sink and sanitize: mix tank(s), mix tank cover(s), mix probe(s), mix storage cover(s) and funnel(s).

Priming

Step 1

Place the mix tank and the cover in the mix cabinet.

Step 2

Insert the prongs of the mix probe inside the mix tank and connect the mix probe in the socket receptacle.

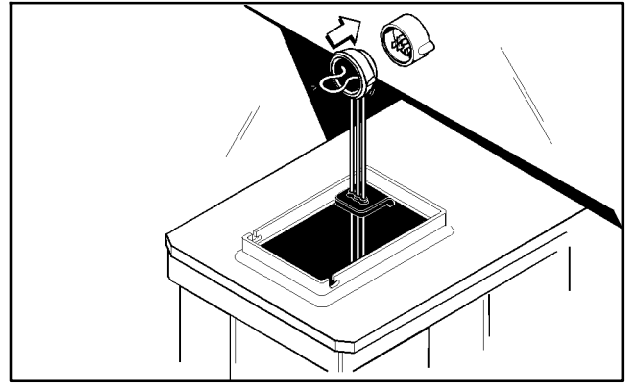


Figure 42

Step 3

Place the free end of the suction line down in the mix tank.

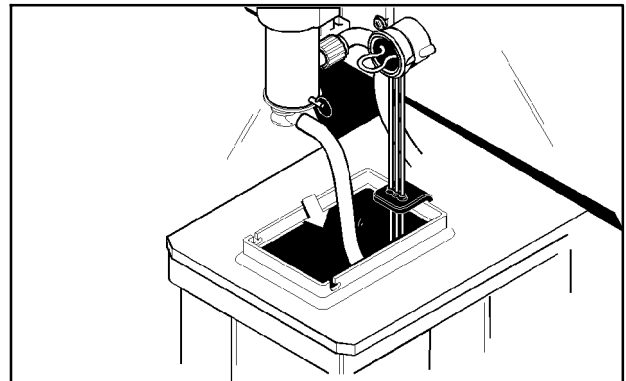


Figure 43

Step 4

Install the funnel. Fill the mix tank with **fresh** mix.

Note: Use only **fresh** mix when priming the freezer.

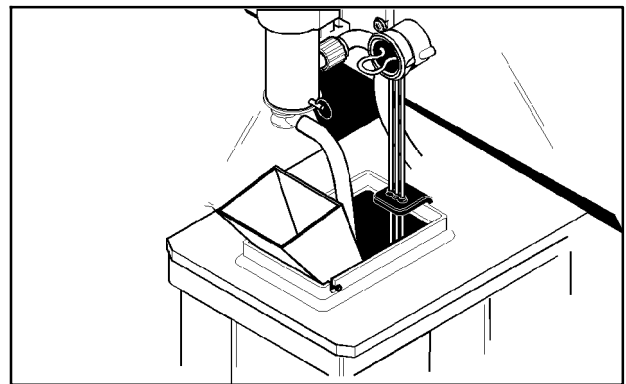


Figure 44

Remove the funnel and install the mix storage cover. Close the mix cabinet door.

Step 5

Place an empty pail beneath the door spout and open the draw valve. With the prime plug still in the UP position, press the PUMP key. This will allow the mix to be pumped through the freezing cylinder and force out any remaining sanitizer. When full strength mix is flowing from the door spout, close the draw valve.

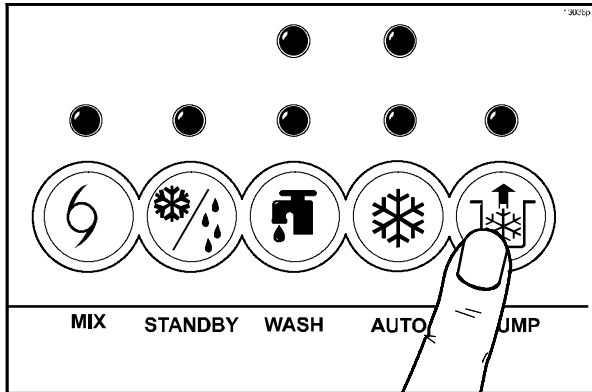


Figure 45

Step 6

When a steady stream of mix is flowing from the prime plug hole in the bottom of the freezer door, press the PUMP key to stop operation.

Step 7

Once the stream of mix stops flowing from the prime plug hole, push down the prime plug. Rinse the prime plug hole area with water. Remove the pail and discard the mix and the sanitizer.

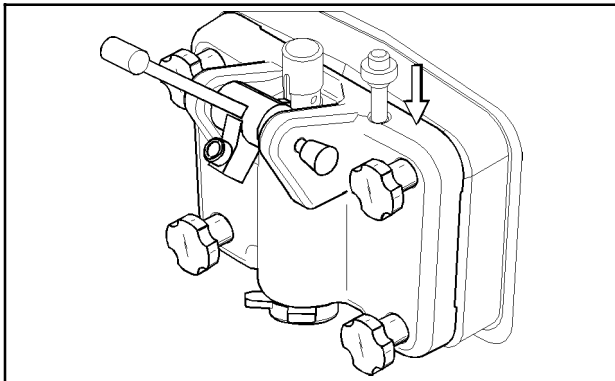


Figure 46

Step 8

Press the AUTO key. The MIX REF light will come on indicating the mix refrigeration system is operating, the AUTO light will come on indicating the main refrigeration system is operating, and the PUMP light will come on indicating the air/mix pump will operate whenever mix is needed in the freezing cylinder.

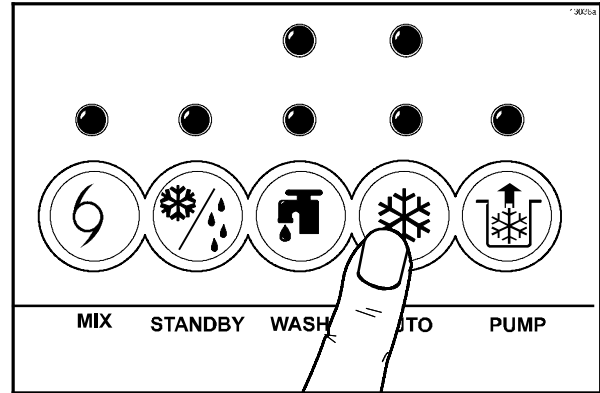


Figure 47

Repeat Steps 1 through 8 for the other side of the freezer on the Models 8756 and 8757.

When the unit cycles off, the product will be at the correct viscosity.

Note: Keep the mix cabinet door closed except when filling the mix tank and during the cleaning and sanitizing procedures. Leaving the door open with the mix refrigeration system on may cause the evaporator to ice up and impair the mix cabinet refrigeration.

Closing Procedure

To disassemble the Models 8752, 8756 and 8757, the following items will be needed:

- Two cleaning and sanitizing pails
- Sanitized stainless steel rerun can with lid
- Necessary brushes (provided with freezer)
- Cleaner
- Single service towels

Draining Product From the Freezing Cylinder

Step 1

Press the AUTO and MIX REF keys to cancel freezer operation.

Step 2

Open the mix cabinet door and remove the mix storage cover(s), mix probe(s), mix tank cover(s), and mix tank(s). Empty the mix from the mix tank(s) into a sanitized stainless steel rerun can.

Step 3

Place the suction line in an empty pail in the mix cabinet.

Step 4

If local health codes permit the use of rerun, place a sanitized, NSF approved stainless steel rerun container beneath the door spout. Open the draw valve and press the WASH and PUMP keys. Drain all the mix from the freezing cylinder. When all the product stops flowing from the door spout, close the draw valve and press the WASH and PUMP keys to stop operation. Place the sanitized lid on the rerun container and place it in the walk-in cooler.

Note: If local health codes DO NOT permit the use of rerun, the product must be discarded. Follow the instructions in the previous step, except drain the product into a pail and properly discard the mix.

Repeat Steps 3 through 4 for the second freezing cylinder on the Models 8756 and 8757.



ALWAYS FOLLOW LOCAL HEALTH CODES.

Rinsing

Step 1

Fill the empty pail in the mix cabinet with 2 gallons (7.6 liters) of **cool**, clean water. Place the free end of the suction line in the pail of water.

Step 2

Disconnect the pressure line from the pressure switch and place it in the pail of water.

Step 3

Press the PUMP key. This action will cause the rinse water to be pumped through the air/mix pump and out through the pressure line. After approximately 15 seconds, press the PUMP key to stop operation.

Step 4

Drain and connect the free end of the pressure line to the pressure switch.

Step 5

Place an empty pail beneath the door spout. Raise the prime plug and press the WASH and PUMP keys.

Step 6

When a steady stream of rinse water is flowing from

the prime plug hole in the bottom of the freezer door, open the draw valve and drain all the rinse water.

Step 7

Once the rinse water stops flowing from the door spout, close the draw valve and press the WASH and PUMP keys to stop operation.

Step 8

Disconnect the pressure line from the pressure switch. Drain the water and then reconnect.

Step 9

Repeat this procedure using clean warm water, until the water being discharged is clear.

Repeat Steps 1 through 9 for the second freezing cylinder on the Models 8756 and 8757.

Cleaning

Step 1

Prepare a pail of approved 100 PPM cleaning solution (examples: 2- 1/2 gal. [9.5 liters] of Kay-5® or 2 gal. [7.6 liters] of Stera-Sheen®). USE WARM WATER AND FOLLOW THE MANUFACTURER'S SPECIFICATIONS. Place the pail of cleaning solution inside the mix cabinet and insert the suction line.

Step 2

Disconnect the pressure line from the pressure switch and place it in the pail of cleaning solution.

Step 3

Press the PUMP key. This action will cause the cleaning solution to be pumped through the air/mix pump and out through the pressure line. After approximately 15 seconds, press the PUMP key to stop operation.

Step 4

Drain and connect the free end of the pressure line to the pressure switch.

Step 5

Place an empty pail beneath the door spout, raise the prime plug, and press the WASH and PUMP keys.

Step 6

When a steady stream of solution is flowing from the prime plug hole in the bottom of the freezer door, pull down the draw handle and draw off the remaining cleaning solution.

Step 7

Once the solution stops flowing from the door spout, close the draw valve and press the WASH and PUMP keys to stop operation.

Repeat Steps 1 through 7 for the other side of the freezer on the Models 8756 and 8757.

Step 8

Place the power switch in the OFF position before disassembling the machine.

Disassembly



BE SURE THE POWER SWITCH IS IN THE "OFF" POSITION TO ELIMINATE THE CHANCE OF MOVING PARTS. CHECK TO MAKE SURE NO LIGHTS ARE LIT ON THE CONTROL PANEL.

Step 1

Remove the handscrews, freezer door, beater(s), shoes, scraper blades, and drive shaft(s) from the freezing cylinder(s) and take them to the sink for cleaning.

Step 2

Remove the air/mix pump. Unscrew the flare line from the mix inlet tube. Disengage the pressure line from the pressure switch and the mix inlet tube. Pull the retaining pin out of the pump collar and slide the collar down. Tilt the air/mix pump away from the machine and take the entire assembly to the sink for further disassembly and brush cleaning.

Step 3

Remove the pressure switch cap from the mix cabinet and the diaphragm from the cap.

Repeat Steps 2 and 3 for the other side of the freezer on the Models 8756 and 8757.

Step 4

Remove the front drip tray and splash shield.

Brush Cleaning

Step 1

Prepare a sink with an approved cleaning solution (examples: Stera Sheen® or Kay-5®). USE WARM WATER AND FOLLOW THE MANUFACTURER'S SPECIFICATIONS

If an approved cleaner other than Stera Sheen® or Kay-5® is used, dilute it according to the label instructions. **IMPORTANT:** Follow the label directions. Too STRONG of a solution can cause parts damage,

while too MILD of a solution will not provide adequate cleaning. Make sure all brushes provided with the freezer are available for brush cleaning.

Step 2

Remove the seal(s) from the drive shaft(s).

Step 3

Remove the scraper blade clips from the scraper blades.

Step 4

From the freezer door(s) remove the gasket(s), front bearing(s), pivot pin(s), draw handle(s), draw valve(s), prime plug(s), and the design cap(s).

Remove all o-rings.

Note: To remove o-rings, use a single service towel to grasp the o-ring. Apply pressure in an upward direction until the o-ring pops out of its groove. With the other hand, push the top of the o-ring forward. It will roll out of the groove and can be easily removed. If there is more than one o-ring to be removed, always remove the rear o-ring first. This will allow the o-ring to slide over the forward rings without falling into the open grooves.

Step 5

Remove the flare line(s), suction line(s), retaining pin(s) and mix inlet fitting(s) from the pump cylinder(s). Remove the liquid valve body(ies) from the pump cylinder(s).

Remove the piston(s) from the pump cylinder(s). Remove all o-rings and check bands.

Step 6

Return to the freezer with a small amount of cleaning solution. With the black bristle brush, brush clean the rear shell bearing(s) at the back of the freezing cylinder(s).

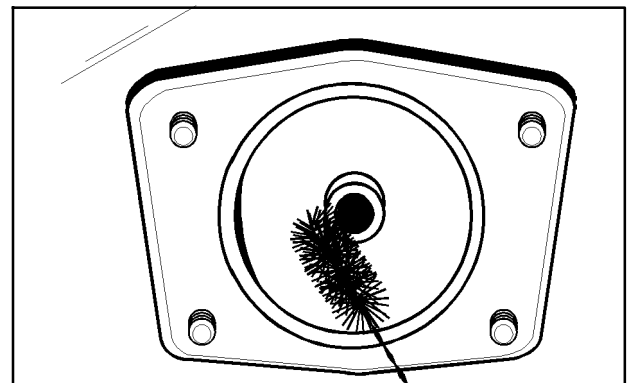


Figure 49

Step 7

Using the long, flexible brush and the cleaning solution, clean the mix inlet tube(s) located in the mix cabinet. Thoroughly clean the tube(s) all the way up to the freezing cylinder. This area needs special attention because bacteria and milkstone can build up here.

Step 8

Remove the rear drip pan from the side panel and take it to the sink for cleaning.

Note: If the rear drip pan is filled with an excessive amount of mix, refer to the Troubleshooting Guide.

Step 9

Thoroughly brush clean all disassembled parts in the cleaning solution, making sure all lubricant and mix film is removed. Take particular care to brush clean the draw valve core(s) in the freezer door. Place all the cleaned parts on a clean dry surface to air dry overnight.

Step 10

Wipe clean all exterior surfaces of the freezer and the mix cabinet.

Check Topping Pump Temperature and Volume - Model 8757

To check the topping pump temperature and volume on the Model 8757 the following items will be needed:

- Digital thermometer with needle probe
- calibrating cup
- flatblade screwdriver
- sanitizer (examples: Stera Sheen® or Kay-5®)

Note: This procedure should be performed on a morning after the pumps were disassembled and cleaned, on a monthly basis.

1. Dispense one serving of topping into a sundae cup.
2. Insert the sanitized needle probe into the topping. Let the probe stabilize for 20 seconds.

Note: Topping temperature should be between 115° and 125°F (46° and 52°C) and must be this temperature before pump calibration can begin. Water bath temperature should be between 135° and 145°F (57° and 63°C).

3. If the temperature is too cold or too warm, it can be adjusted by the temperature control

located inside the machine, on the back of the topping compartment.

4. Using the flatblade screwdriver, loosen and remove the screws from the lower right panel. Locate the adjustment screws, one for each water bath.
5. Using a flatblade screwdriver, turn the adjustment screw **CLOCKWISE** to **INCREASE** and **COUNTERCLOCKWISE** to **DECREASE** the water bath temperature. Adjust in small increments.
6. Allow 10 minutes for the temperature to stabilize in the water bath.
7. Check the temperature again in the water bath.
8. Place the topping pump back into the container.
9. Repeat these steps for the other topping. Install the lower right panel, if applicable, and install the screws.
10. Hold the small chamber of the calibrating cup under the dispensing nozzle.
11. Push the dispensing lever down for one full stroke. The topping should be directed to the bottom of the calibrating cup. Do not allow the topping to fall on the sides of the cup.

Note: The amount of dispensed topping should be one fluid ounce (29.6 ml).

12. If the dispensed amount is correct, proceed to Step 13. If the amount of dispensed topping is not correct, consult the Troubleshooting Section of your Equipment Manual
13. Repeat Steps 10 through 12 for the other topping pump, then proceed with Step 14.
14. Topping pump temperature and volume check is complete.

Section 7 Important: Operator Checklist

During Cleaning and Sanitizing



ALWAYS FOLLOW LOCAL HEALTH CODES.

Cleaning and sanitizing schedules are governed by federal, state, or local regulatory agencies, and must be followed accordingly. If the unit has a “Standby mode”, it must not be used in lieu of proper cleaning and sanitizing procedures and frequencies set forth by the ruling health authority. The following check points should be stressed during the cleaning and sanitizing operations.



CLEANING AND SANITIZING MUST BE PERFORMED DAILY.

Troubleshooting Bacterial Count

- 1. Thoroughly clean and sanitize the machine regularly, including complete disassembly and brush cleaning.
 - 2. Use all brushes supplied for thorough cleaning. The brushes are specially designed to reach all mix passageways.
 - 3. Use the long (38”) white bristle brush to clean the mix feed tube which extends from the mix reservoir to the rear of the freezing cylinder.
 - 4. Use the black bristle brush to thoroughly clean the rear shell bearing located at the rear of the freezing cylinder. Be sure there is a generous amount of cleaning solution on the brush.
 - 5. IF LOCAL HEALTH CODES PERMIT THE USE OF RERUN, make sure the mix rerun is stored in a sanitized, covered stainless steel container and is used the following day. DO NOT prime the machine with rerun. When using rerun, skim off the foam and discard, then mix the rerun with fresh mix in a ratio of 50/50 during the day’s operation.
- 6. On a designated day of the week, run the mix as low as feasible and discard after closing. This will break the rerun cycle and reduce the possibility of high bacteria and coliform counts.
 - 7. Properly prepare the cleaning and sanitizing solutions. Read and follow the label directions carefully. Too strong of a solution may damage the parts and too weak of a solution will not do an adequate job of cleaning or sanitizing. Sanitize the freezing cylinder for 5 minutes.
 - 8. The temperature of the mix in the mix storage cabinet and the walk- in cooler should be below 40°F. (4.4°C.).

Regular Maintenance Checks

- 1. Replace scraper blades that are bent, damaged or worn.
- 2. Before installing the beater, be certain that the scraper blades are properly attached over the pins and the beater assembly is straight.
- 3. Check the rear shell bearing for signs of wear (excessive mix leakage in the rear drip pan) and be certain it is properly cleaned.
- 4. Using a screwdriver and cloth towel, keep the rear shell bearing and the female hex drive socket clean and free of lubricant and mix deposits.
- 5. Dispose of o-rings and seals if they are worn, torn, or fit too loosely, and replace with new ones.
- 6. Follow all lubricating procedures as outlined in “Assembly”.

- 7. If your machine is air cooled, check the condensers for accumulation of dirt and lint. Dirty condensers will reduce the efficiency and capacity of the machine. Condensers should be cleaned **monthly** with a soft brush.

Note: For machines equipped with an air filter, it will be necessary to vacuum clean the filters on a monthly schedule.



Never use screwdrivers or other metal probes to clean between the fins.

- 8. On water cooled units, check the water lines for kinks or leaks. Kinks can occur when the machine is moved back and forth for cleaning or maintenance purposes. Deteriorated or cracked water lines should be replaced only by an authorized Taylor technician.

- 9. Your machine is equipped with an auxiliary refrigeration system. Check the auxiliary condenser for accumulation of dirt and lint. Dirty condensers will reduce the refrigeration capacity of the mix cabinet. Condensers must be cleaned **monthly** with a soft brush.

Note: For machines equipped with an air filter, it will be necessary to vacuum clean the filters on a monthly schedule.



Never use screwdrivers or other metal probes to clean between the fins.

The Air/Mix Pump

- 1. Dispose of the o-rings, the check bands and the pressure switch diaphragm if they are worn, torn or fit too loosely and replace with new ones.
- 2. Follow lubricating procedures carefully. NEVER lubricate check bands.
- 3. Handle plastic pump parts with care to avoid nicks and cracks.
- 4. Be sure the pressure line is securely attached to the pressure switch.
- 5. Clean, sanitize and lubricate the pressure switch diaphragm daily.
- 6. Be sure the air/mix pump is properly aligned with the face plate of the motor reducer or severe and costly damage may occur.

Winter Storage

If the place of business is to be closed during the winter months, it is important to protect the freezer by following certain precautions, particularly if the building is subject to freezing conditions.

Disconnect the freezer from the main power source to prevent possible electrical damage.

On water cooled freezers, disconnect the water supply. Relieve pressure on the spring in the water valve. Use air pressure on the outlet side to blow out any water remaining in the condenser. **This is extremely important.** Failure to follow this procedure may cause severe and costly damage to the refrigeration system.

Your local Taylor Distributor can perform this service for you.

Wrap detachable parts of the freezer such as the beater, blades, drive shaft, and freezer door. Place these parts in a protected, dry place. Rubber trim parts and gaskets can be protected by wrapping them with moisture-proof paper. All parts should be thoroughly cleaned of dried mix or lubrication which attract mice and other vermin.

Section 8

Troubleshooting Guide

PROBLEM	PROBABLE CAUSE	REMEDY	PAGE REF.
<p>1. No product is being dispensed.</p>	<p>a. Low on mix. The MIX OUT light is on.</p> <p>b. The power switch is in the OFF position.</p> <p>c. The beater motor is out on reset.</p> <p>d. The beater assembly is rotating counterclockwise.</p> <p>e. Insufficient mix in the freezing cylinder.</p> <p>f. Restriction in the door spout.</p> <p>g. Machine is unplugged.</p> <p>h. Circuit breaker is off or the fuse is blown.</p> <p>i. The mix probe was not installed properly, or was damaged.</p>	<p>a. Add mix to the mix tank and press the AUTO key.</p> <p>b. Place the power switch in the ON position and press the AUTO key.</p> <p>c. Reset the freezer.</p> <p>d. Contact service technician to correct rotation to clockwise.</p> <p>e. Refer to problem #2.</p> <p>f. Remove the draw handle and raise the draw valve all the way up to remove restriction. Never put objects or fingers in door spout.</p> <p>g. Plug machine into the wall receptacle.</p> <p>h. Turn the breaker on or replace the fuse.</p> <p>i. Check the mix probe installation.</p>	<p>17</p> <p>- - -</p> <p>17</p> <p>- - -</p> <p>- - -</p> <p>- - -</p> <p>- - -</p> <p>- - -</p> <p>31</p>
<p>2. Insufficient mix in the freezing cylinder.</p>	<p>a. Suction line is not fully submerged in the mix.</p> <p>b. Improper seal of suction line to the mix inlet fitting.</p> <p>c. Worn or defective check bands or o-rings in air/mix pump assembly.</p>	<p>a. Arrange the suction line so the weighted end is fully submerged.</p> <p>b. Remove the suction line from the mix inlet fitting. Place under hot running water, allow tubing to swell, then cool. Connect suction line to barbed fitting. Eventual replacement will be necessary.</p> <p>c. Replace regularly. Never lubricate check bands.</p>	<p>31</p> <p>- - -</p> <p>24/ 43</p>

PROBLEM	PROBABLE CAUSE	REMEDY	PAGE REF.
<p>2. Insufficient mix in the freezing cylinder. <i>(Cont'd.)</i></p>	<p>d. Missing, defective, or no lubrication on the mix inlet fitting o-ring.</p> <p>e. The mix pump ball crank is broken.</p> <p>f. The pump motor is not activated.</p> <p>g. Defective air/mix pump pressure switch.</p> <p>h. Pressure switch diaphragm installed incorrectly, or missing.</p> <p>i. The mix inlet tube is frozen or clogged.</p> <p>j. The mix pump is pumping foam.</p>	<p>d. Replace or evenly lubricate the o-ring on the mix inlet fitting.</p> <p>e. Contact a service technician to replace the ball crank.</p> <p>f. Place the power switch in the OFF position. Push the reset button on pump drive motor. Return the power switch to the ON position. Press the AUTO key. (For the Models 8756 and 8757, press the AUTO key for the opposite freezing cylinder also.)</p> <p>g. Contact a service technician to replace the pressure switch.</p> <p>h. Diaphragm must be correctly installed in the pressure switch cap or the housing.</p> <p>i. Use the long flexible brush and sanitizing solution to clear the restriction in the mix inlet tube. Contact a service technician to correct the cause of over-refrigeration in the mix cabinet.</p> <p>j. Incorrect handling of rerun. Must remove all foam.</p>	<p>25/ 43</p> <p>- - -</p> <p>- - -</p> <p>- - -</p> <p>27</p> <p>- - -</p> <p>36</p>
<p>3. Product is too stiff.</p>	<p>a. Viscosity control is set too cold.</p> <p>b. Insufficient mix in the freezing cylinder.</p> <p>c. Improper priming procedures.</p> <p>d. Out-of-date mix.</p>	<p>a. Contact a service technician.</p> <p>b. Refer to problem #2.</p> <p>c. Drain the freezing cylinder and reprime the machine.</p> <p>d. Use fresh mix. When using rerun, skim off the foam and mix 50% rerun with 50% fresh mix during heavy draw periods.</p>	<p>- - -</p> <p>- - -</p> <p>31</p> <p>31/ 43</p>

PROBLEM	PROBABLE CAUSE	REMEDY	PAGE REF.
4. Product is too soft.	a. Viscosity control is set too warm.	a. Contact a service technician.	- - -
	b. Worn scraper blades.	b. Replace scraper blades regularly.	43
	c. Dirty condensers or air filters on air cooled units.	c. Clean monthly.	37
	d. Inadequate water supply on water cooled units.	d. Check the water supply. Check water lines for leaks or kinks.	1/ 37
	e. Draw rate is set too fast.	e. Adjust the draw rate to 5 to 7- 1/2 ounces of product every 10 seconds. Check that the restrictive bar on the draw handle is assembled on the bottom.	19
	f. Inadequate air space around air cooled units.	f. Allow adequate room for air flow across the condensers. Minimum of 3" (7.6 cm) clearance on all sides. Do not obstruct air discharge on top. 12" (30.5 cm) clearance on top of freezer.	1
5. Mix in the mix cabinet is too warm.	a. Warm mix was placed in the tank.	a. Mix added to the mix tank should be below 40°F (4.4°C).	36
	b. The mix cabinet door was left open.	b. The door must be kept closed.	31
	c. The mix cabinet refrigeration system needs adjustment.	c. Contact a service technician.	- - -
	d. The mix cabinet door gasket is not sealing.	d. Repair or replace gasket.	- - -
	e. Dirty mix cabinet condenser or air filter.	e. Clean monthly.	37
6. Mix in the mix cabinet is too cold.	a. The mix cabinet refrigeration system needs adjustment.	a. Contact a service technician.	- - -
7. Excessive mix leakage from the bottom of the door spout.	b. Worn, missing or incorrect o- ring is on the draw valve.	b. Check the o- rings. (Replace every 3 months.)	43
	c. Improper lubrication on the draw valve o- rings.	c. Lubricate properly.	23

PROBLEM	PROBABLE CAUSE	REMEDY	PAGE REF.
8. Excessive mix leakage into the rear drip pan.	a. Worn or missing drive shaft seal.	a. Install or replace the seal.	20/ 43
	b. Improper lubrication of the drive shaft.	b. Lubricate properly.	20
	c. Worn rear shell bearing.	c. Contact a service technician to replace the rear shell bearing.	- - -
	d. The gear box is out of alignment.	d. Contact a service technician to align the gear box.	- - -
9. The drive shaft is stuck in the gear box coupling.	a. The gear box is out of alignment.	a. Contact a service technician to align the gear box.	- - -
	b. Rounded corners on hex end of drive shaft or gear coupling.	b. Replace damaged component.	- - -
10. Freezing cylinder walls are scored.	a. Broken pins on beater assembly.	a. Repair or replace the beater assembly. Be sure the scraper blades are properly seated on pins.	21
	b. The beater assembly is bent.	b. Repair or replace the beater assembly. Contact a service technician to correct the cause of insufficient mix in freezing cylinder.	- - -
	c. Missing front bearing.	c. Install the front bearing on the back of the freezer door.	22

PROBLEM	PROBABLE CAUSE	REMEDY	PAGE REF.
11. The air/mix pump does not operate.	a. The pump motor is not activated.	a. Place the power switch in the OFF position. Push the reset button on the pump drive motor. Return the power switch to the ON position. (Models 8756 and 8757, press the AUTO key for the opposite freezing cylinder also.)	- - -
	b. Defective air/mix pump pressure switch.	b. Contact a service technician to replace the pressure switch.	- - -
	c. The pressure switch diaphragm was installed incorrectly or was missing.	c. The diaphragm must be correctly installed in the pressure switch cap or the housing.	27
12. The machine will not operate in the AUTO mode.	a. The machine is unplugged.	a. Plug the machine into the wall receptacle.	- - -
	b. The circuit breaker is off or the fuse is blown.	b. Turn the breaker on or replace the fuse.	- - -
	c. Low on mix. The MIX OUT light is flashing.	c. Add mix to the mix tank and press the AUTO key.	17
	d. The mix probe is not installed properly or is damaged.	d. Check the mix probe installation.	31
	e. The beater motor is out on reset.	e. Reset the freezer.	17
	f. The unit is off on high head pressure.	f. Air cooled: clean the condenser. Water cooled: check the water supply. Contact a service technician.	37/ 37
	g. The power switch is in the OFF position.	g. Place the power switch in the ON position.	29

Section 9

Parts Replacement Schedule

PART DESCRIPTION	EVERY 3 MONTHS	EVERY 4 MONTHS	EVERY 6 MONTHS	ANNUALLY	QTY.
Scraper Blades		X			2*
Drive Shaft Seal	X				1*
Freezer Door Gasket	X				1*
Front Bearing	X				1*
Beater Shoes	X				2*
Draw Valve O- Ring	X				2**
Prime Plug O- Ring	X				2*
Pivot Pin O- Ring	X				1*
Air/Mix Pump O- Ring	X				4*
Liquid Valve Body Check Band	X				3*
Mix Inlet Fitting O- Ring	X				1*
Pressure Switch Diaphragm	X				1*
Design Cap	X				1**
White Bristle Brush, 9/16" x 44"			Inspect & Replace if Necessary	Minimum	1
White Bristle Brush, 1" x 2"			Inspect & Replace if Necessary	Minimum	1
White Bristle Brush, 3" x 7"			Inspect & Replace if Necessary	Minimum	1
White Bristle Brush, 3" x 1/2"			Inspect & Replace if Necessary	Minimum	1
Small White Bristle Brush			Inspect & Replace if Necessary	Minimum	1
Double Ended Brush			Inspect & Replace if Necessary	Minimum	1
Black Bristle Brush, 1" x 2"			Inspect & Replace if Necessary	Minimum	1

* Double quantity for Models 8756 and 8757.

** Triple quantity for Models 8756 and 8757.

Refer to Parts List on page 49 when ordering the above parts.

Section 10 Limited Warranty on Equipment

TAYLOR COMPANY LIMITED WARRANTY ON FREEZERS

Taylor Company, a division of Carrier Commercial Refrigeration, Inc. (“Taylor”) is pleased to provide this limited warranty on new Taylor-branded freezer equipment available from Taylor to the market generally (the “Product”) to the original purchaser only.

LIMITED WARRANTY

Taylor warrants the Product against failure due to defect in materials or workmanship under normal use and service as follows. All warranty periods begin on the date of original Product installation. If a part fails due to defect during the applicable warranty period, Taylor, through an authorized Taylor distributor or service agency, will provide a new or re-manufactured part, at Taylor’s option, to replace the failed defective part at no charge for the part. Except as otherwise stated herein, these are Taylor’s exclusive obligations under this limited warranty for a Product failure. This limited warranty is subject to all provisions, conditions, limitations and exclusions listed below and on the reverse (if any) of this document.

Product	Part	Limited Warranty Period
Soft Serve	Insulated shell assembly	Five (5) years
Frozen Yogurt Shakes	Refrigeration compressor (except service valve)	Five (5) years
Smoothies	Beater motors	Two (2) years
Frozen Beverage	Beater drive gear	Two (2) years
Batch Desserts	Printed circuit boards and Softech controls beginning with serial number H8024200	Two (2) years
	Parts not otherwise listed in this table or excluded below	One (1) year

LIMITED WARRANTY CONDITIONS

1. If the date of original installation of the Product cannot be verified, then the limited warranty period begins ninety (90) days from the date of Product manufacture (as indicated by the Product serial number). Proof of purchase may be required at time of service.
2. This limited warranty is valid only if the Product is installed and all required service work on the Product is performed by an authorized Taylor distributor or service agency, and only if genuine, new Taylor parts are used.
3. Installation, use, care, and maintenance must be normal and in accordance with all instructions contained in the Taylor Operator’s Manual.
4. Defective parts must be returned to the authorized Taylor distributor or service agency for credit.
5. The use of any refrigerant other than that specified on the Product’s data label will void this limited warranty.

LIMITED WARRANTY EXCEPTIONS

This limited warranty does **not** cover:

1. Labor or other costs incurred for diagnosing, repairing, removing, installing, shipping, servicing or handling of defective parts, replacement parts, or new Products.
2. Normal maintenance, cleaning and lubrication as outlined in the Taylor Operator’s Manual, including cleaning of condensers.

3. Replacement of wear items designated as Class "000" parts in the Taylor Operator's Manual.
4. External hoses, electrical power supplies, and machine grounding.
5. Parts not supplied or designated by Taylor, or damages resulting from their use.
6. Return trips or waiting time required because a service technician is prevented from beginning warranty service work promptly upon arrival.
7. Failure, damage or repairs due to faulty installation, misapplication, abuse, no or improper servicing, unauthorized alteration or improper operation or use as indicated in the Taylor Operator's Manual, including but not limited to the failure to use proper assembly and cleaning techniques, tools, or approved cleaning supplies.
8. Failure, damage or repairs due to theft, vandalism, wind, rain, flood, high water, water, lightning, earthquake or any other natural disaster, fire, corrosive environments, insect or rodent infestation, or other casualty, accident or condition beyond the reasonable control of Taylor; operation above or below the electrical or water supply specification of the Product; or components repaired or altered in any way so as, in the judgment of the Manufacturer, to adversely affect performance, or normal wear or deterioration.
9. Any Product purchased over the Internet.
10. Failure to start due to voltage conditions, blown fuses, open circuit breakers, or damages due to the inadequacy or interruption of electrical service.
11. Electricity or fuel costs, or increases in electricity or fuel costs from any reason whatsoever.
12. Damages resulting from the use of any refrigerant other than that specified on the Product's data label will void this limited warranty.
13. Any cost to replace, refill or dispose of refrigerant, including the cost of refrigerant.
14. **ANY SPECIAL, INDIRECT OR CONSEQUENTIAL PROPERTY OR COMMERCIAL DAMAGE OF ANY NATURE WHATSOEVER.** Some jurisdictions do not allow the exclusion of incidental or consequential damages, so this limitation may not apply to you.

This limited warranty gives you specific legal rights, and you may also have other rights which vary from jurisdiction to jurisdiction.

LIMITATION OF WARRANTY

THIS LIMITED WARRANTY IS EXCLUSIVE AND IS IN LIEU OF ALL OTHER WARRANTIES, CONDITIONS AND/OR REMEDIES UNDER THE LAW, INCLUDING ANY IMPLIED WARRANTIES OR CONDITIONS OF MERCHANTABILITY OR FITNESS FOR A PARTICULAR PURPOSE. THE ORIGINAL OWNER'S SOLE REMEDY WITH RESPECT TO ANY PRODUCTS SHALL BE REPAIR OR REPLACEMENT OF DEFECTIVE COMPONENTS UNDER THE TERMS OF THIS LIMITED WARRANTY. ALL RIGHTS TO CONSEQUENTIAL OR INCIDENTAL DAMAGES (INCLUDING CLAIMS FOR LOST SALES, LOST PROFITS, PRODUCT LOSS, PROPERTY DAMAGES OR SERVICE EXPENSES) ARE EXPRESSLY EXCLUDED. THE EXPRESS WARRANTIES MADE IN THIS LIMITED WARRANTY MAY NOT BE ALTERED, ENLARGED, OR CHANGED BY ANY DISTRIBUTOR, DEALER, OR OTHER PERSON, WHATSOEVER.

LEGAL REMEDIES

The owner **must** notify Taylor in writing, by certified or registered letter to the following address, of any defect or complaint with the Product, stating the defect or complaint and a specific request for repair, replacement, or other correction of the Product under warranty, mailed at least thirty (30) days before pursuing any legal rights or remedies.

Taylor Company
a division of Carrier Commercial Refrigeration, Inc.
750 N. Blackhawk Blvd.
Rockton, IL 61072, U.S.A.

Section 11

Limited Warranty on Parts

TAYLOR COMPANY LIMITED WARRANTY ON TAYLOR GENUINE PARTS

Taylor Company, a division of Carrier Commercial Refrigeration, Inc. ("Taylor") is pleased to provide this limited warranty on new Taylor genuine replacement components and parts available from Taylor to the market generally (the "Parts") to the original purchaser only.

LIMITED WARRANTY

Taylor warrants the Parts against failure due to defect in materials or workmanship under normal use and service as follows. All warranty periods begin on the date of original installation of the Part in the Taylor unit. If a Part fails due to defect during the applicable warranty period, Taylor, through an authorized Taylor distributor or service agency, will provide a new or re-manufactured Part, at Taylor's option, to replace the failed defective Part at no charge for the Part. Except as otherwise stated herein, these are Taylor's exclusive obligations under this limited warranty for a Part failure. This limited warranty is subject to all provisions, conditions, limitations and exclusions listed below and on the reverse (if any) of this document.

Part's Warranty Class Code or Part	Limited Warranty Period
Class 103 Parts ¹	Three (3) months
Class 212 Parts ²	Twelve (12) months
Class 512 Parts	Twelve (12) months
Class 000 Parts	No warranty
Taylor Part #072454 (Motor- 24VDC *C832/C842*)	Four (4) years

LIMITED WARRANTY CONDITIONS

1. If the date of original installation of the Part cannot be otherwise verified, proof of purchase may be required at time of service.
2. This limited warranty is valid only if the Part is installed and all required service work in connection with the Part is performed by an authorized Taylor distributor or service agency.
3. The limited warranty applies only to Parts remaining in use by their original owner at their original installation location in the unit of original installation.
4. Installation, use, care, and maintenance must be normal and in accordance with all instructions contained in the Taylor Operator's Manual.
5. Defective Parts must be returned to the authorized Taylor distributor or service agency for credit.
6. This warranty is not intended to shorten the length of any warranty coverage provided pursuant to a separate Taylor Limited Warranty on freezer or grill equipment.
7. The use of any refrigerant other than that specified for the unit in which the Part is installed will void this limited warranty.

^{1, 2} Except that Taylor Part #032129SER2 (Compressor-Air-230V SERV) and Taylor Part #075506SER1 (Compressor-Air-115V 60HZ) shall have a limited warranty period of twelve (12) months when used in Taylor freezer equipment and a limited warranty period of two (2) years when used in Taylor grill equipment.

LIMITED WARRANTY EXCEPTIONS

This limited warranty does **not** cover:

1. Labor or other costs incurred for diagnosing, repairing, removing, installing, shipping, servicing or handling of defective Parts, replacement Parts, or new Parts.
2. Normal maintenance, cleaning and lubrication as outlined in the Taylor Operator's Manual, including cleaning of condensers or carbon and grease buildup.
3. Required service, whether cleaning or general repairs, to return the cooking surface assemblies, including the upper platen and lower plate, to an operational condition to achieve proper cooking or allow proper assembly of release sheets and clips as a result of grease build-up on the cooking surfaces, including but not limited to the platen and plate, sides of the shroud or top of the shroud.
4. Replacement of cooking surfaces, including the upper platen and lower plate, due to pitting or corrosion (or in the case of the upper platen, due to loss of plating) as a result of damage due to the impact of spatulas or other small wares used during the cooking process or as a result of the use of cleaners, cleaning materials or cleaning processes not approved for use by Taylor.
5. Replacement of wear items designated as Class "000" Parts in the Taylor Operator's Manual, as well as any release sheets and clips for the Product's upper platen assembly.
6. External hoses, electrical power supplies, and machine grounding.
7. Parts not supplied or designated by Taylor, or damages resulting from their use.
8. Return trips or waiting time required because a service technician is prevented from beginning warranty service work promptly upon arrival.
9. Failure, damage or repairs due to faulty installation, misapplication, abuse, no or improper servicing, unauthorized alteration or improper operation or use as indicated in the Taylor Operator's Manual, including but not limited to the failure to use proper assembly and cleaning techniques, tools, or approved cleaning supplies.
10. Failure, damage or repairs due to theft, vandalism, wind, rain, flood, high water, water, lightning, earthquake or any other natural disaster, fire, corrosive environments, insect or rodent infestation, or other casualty, accident or condition beyond the reasonable control of Taylor; operation above or below the gas, electrical or water supply specification of the unit in which a part is installed; or Parts or the units in which they are installed repaired or altered in any way so as, in the judgment of Taylor, to adversely affect performance, or normal wear or deterioration.
11. Any Part purchased over the Internet.
12. Failure to start due to voltage conditions, blown fuses, open circuit breakers, or damages due to the inadequacy or interruption of electrical service.
13. Electricity, gas or other fuel costs, or increases in electricity or fuel costs from any reason whatsoever.
14. Damages resulting from the use of any refrigerant other than that specified for the unit in which the Part is installed will void this limited warranty.
15. Any cost to replace, refill or dispose of refrigerant, including the cost of refrigerant.
16. **ANY SPECIAL, INDIRECT OR CONSEQUENTIAL PROPERTY OR COMMERCIAL DAMAGE OF ANY NATURE WHATSOEVER.** Some jurisdictions do not allow the exclusion of incidental or consequential damages, so this limitation may not apply to you.

This limited warranty gives you specific legal rights, and you may also have other rights which vary from jurisdiction to jurisdiction.

LIMITATION OF WARRANTY

THIS LIMITED WARRANTY IS EXCLUSIVE AND IS IN LIEU OF ALL OTHER WARRANTIES, CONDITIONS AND/OR REMEDIES UNDER THE LAW, INCLUDING ANY IMPLIED WARRANTIES OR CONDITIONS OF MERCHANTABILITY OR FITNESS FOR A PARTICULAR PURPOSE. THE ORIGINAL OWNER'S SOLE REMEDY WITH RESPECT TO ANY PRODUCTS SHALL BE REPAIR OR REPLACEMENT OF DEFECTIVE PARTS UNDER THE TERMS OF THIS LIMITED WARRANTY. ALL RIGHTS TO CONSEQUENTIAL OR INCIDENTAL DAMAGES (INCLUDING CLAIMS FOR LOST SALES, LOST PROFITS, PRODUCT LOSS, PROPERTY DAMAGES OR SERVICE EXPENSES) ARE EXPRESSLY EXCLUDED. THE EXPRESS WARRANTIES MADE IN THIS LIMITED WARRANTY MAY NOT BE ALTERED, ENLARGED, OR CHANGED BY ANY DISTRIBUTOR, DEALER, OR OTHER PERSON, WHATSOEVER.

LEGAL REMEDIES

The owner **must** notify Taylor in writing, by certified or registered letter to the following address, of any defect or complaint with the Part, stating the defect or complaint and a specific request for repair, replacement, or other correction of the Part under warranty, mailed at least thirty (30) days before pursuing any legal rights or remedies.

Taylor Company
a division of Carrier Commercial Refrigeration, Inc.
750 N. Blackhawk Blvd.
Rockton, IL 61072, U.S.A.

Section 12

Parts List

MAIN REFRIGERATION SYSTEM HP-62, 8752 - J6090915/UP, 8756 - J5032993/UP, 8757 - J5111000/UP

DESCRIPTION	PART NUMBER	8752 QTY.	8756 QTY.	8757 QTY.	WARR. CLASS	REMARKS	PARTS UPDATE
ADAPTOR-PUMP-CABINET	024259	1	2	2	103		
BEARING A.-HINGE	X20305	1	1	1	000		
BEARING-REAR SHELL *NICK.PLATE	031324	1	2	2	000		
+GUIDE-DRIP SEAL	028992	1	2	2	000		
+NUT-BRASS BEARING	028991	1	2	2	000		
+WASHER-BEARING LOCK	012864	1	2	2	000		
BEATER A.-3.4QT-1 PIN-SUPPORT	X46231	1	2	2	103		
+BLADE-SCRAPER-PLASTIC 8-1/8L	046235	2	4	4	000		
+CLIP-SCRAPER BLADE	046236	2	4	4	103		
BEARING-FRONT-SHOE	050348	1	2	2	000	USE W/BEATER SHOES - ORDER X50350 KIT	
BELT-AX35	022848	2			000		
BELT-AX36	022849		4		000	50Hz/60Hz	
BELT-AX42	023877			4	000		
BLOCK-TERMINAL 2P	039422	2	4	4	103	1 PHASE	
BLOCK-TERMINAL 3P	039433	2	4	4	103	3 PHASE	
BLOWER A. (NEW)	X30153-27		1		103	J9025975/UP	139
MOTOR-BLOWER FAN	030157-27		1		103		
BLOWER A.	X47833-27		1	1	103	8756-PRIOR TO J9025975	139
BOOT-CAPACITOR INSULATING	031314		1	1	000		
CAPACITOR-RUN- 10 UF/370V	033047		1	1	103		
HOUSING A.-W/WHEEL	X30160		1	1	103		
MOTOR-BLOWER-208/230V 50/60 HZ	046536-27		1	1	103		
BOARD-LOGIC-GEN 2	X36641SER1	1	2	2	212		
BOARD-POWER-GEN 1 & 2	X32326-SER	1	2	2	212		
BRACKET-THERM PROBE	033745	1	1	1	103	MIX CABINET	
BRUSH-DOUBLE ENDED	013072	1	1	1	000		
BRUSH-DRAW VALVE 1"ODX2"X17"L	013073	1	1	1	000		
BRUSH-FEED TUBE 9/16ODX44 DA	021101	1	1	1	000		
BRUSH-MIX PUMP BODY-3"X7"WHITE	023316	1	1	1	000		

+ Available Separately

DESCRIPTION	PART NUMBER	8752 QTY.	8756 QTY.	8757 QTY.	WARR. CLASS	REMARKS	PARTS UPDATE
BRUSH-PRESSURE SWITCH-1/8"DIA	027647	1	2	1	000		
BRUSH-REAR BRG 1IN.DX2IN.LGX14	013071	1	1	1	000		
BRUSH-1/2 INCH DIA.	033059			1	000		
CABINET A.-INSULATED *8752	X21989	1			103		
CABINET A.-INSULATED *8756	X24799		1	1	103		
CABLE-RIBBON-PWR/RELAY-18 IN	032444	1	2	2	103		
CAP-DESIGN-1.010"ID-6 POINT	014218	1	3	3	000		
CAP-PUMP	023324	1			103	PUMP COLLAR	
CAP-PUMP	021276-9		2	2	103	PUMP COLLAR	
+PIN-RETAINING	021276-8	2	2	2	103		
CASTER-SWV-3" SWV 3/4-10 STEM	021279	2	2	2	103		
CASTER-SWV-3" SWV 3/4-10 STEM W/BRAKE	030307	2	2	2	103		
COLLAR-HOLDING	019481			12	103		
+SCREW-10-32 X 3/4 OVAL HD SS	001086			12	000		
+WASHER-HOLDING COLLAR	037442			6	000		
COMPRESSOR AEA3414APP-AE121EL (R12)	029841-	1	1	1	512	MIX CABINET - PRIOR TO 404A	
COMPRESSOR AEA0415ZXD-AE580ET (404A)	048627-	1	1	1	512	MIX CABINET - 8752-J6090915/UP, 60Hz-8757-J6012711/UP, 8756-J5120589/UP	
+RELAY-START-COMPRESSOR (404A)	050106-27	1	1	1	103	MIX CABINET - 230-60-1	
COMPRESSOR CS18K6E- COPELAND	052397-		1		512	MAIN - 8756 - J9025975/UP	139
+CAPACITOR-RUN 35UF/370V	029439		1		103	230-60-1	139
+CAPACITOR-START 215-259UF/250V	031304		1		103	230-60-1	139
*RELAY-START-COMPRESSOR	052401-27		1		103	230-60-1	139
COMPRESSOR L63A113BBCA - BRISTOL	048259-	1	2	2	512	MAIN - 8756 - PRIOR TO J9025975	139
+CAPACITOR-RUN- 20UF/440V	012906	1	2	2	103	230-60-1	
+CAPACITOR-START-161-193UF/25	031790	1	2	2	103	230-60-1	
*RELAY-START-COMPRESSOR	038145	1	2	2	103	230-60-1	
CONDENSER-AC-18LX14H-4ROW (NEW)	050104		1		103	J9025975/UP	139
CONDENSER-AC-18LX14H-3ROW	048629	1	2	2	103	MAIN - 8756 - PRIOR TO J9025975	139
CONDENSER-AC-9X8 -2 ROW	029797	1	1	1	103	MIX CABINET	
COUPLING-DRIVE 3/4 HEX X 1-7/8	012721	1	2	2	103		
+SCREW-5/16-18 X 5/16 ALLEN SET	042511	2	4	4	000		

+ Available Separately

111129

DESCRIPTION	PART NUMBER	8752 QTY.	8756 QTY.	8757 QTY.	WARR. CLASS	REMARKS	PARTS UPDATE
COVER-COMPRESSOR-SOUND BARRIER	052816		1		103	J9025975/UP	139
COVER A.-MIX TANK	X38726	1			103		
COVER-MIX STORAGE-CENTER	038827	1			103		
+BOOT-MIX COVER	037200	1			000		
COVER-MIX TANK	024590		1	1	103		
COVER-LEFT MIX STORAGE	037138		1	1	103		
+BOOT-MIX COVER	037200		1	1	000		
COVER-RIGHT MIX STORAGE	037139		1	1	103		
+BOOT-MIX COVER	037200		1	1	000		
DECAL-CLEAN INST.-CABINET	024735	1	1	1	000		
DECAL-DEC-SGL-SS-CABINET	033227	1			000		
DECAL-DEC-TWIN-SS-CABINET	032424		1		000		
DECAL-DEC-TAYLOR 8757	036700			1	000		
DECAL-POWER SWITCH	032484	1	1	1	000	(8757 - PRIOR TO J8120000) NEW 8757 POWER SWITCH LABEL - 052632	137
DECAL-TROUBLESHOOTING	038374	1	1	1	000		
DIAGRAM-WIRING *8752*GEN.	037808	1			000		
DIAGRAM-WIRING *8756*GEN.II*	037807		1		000		
DIAGRAM-WIRING *8757*GEN II*	042793-			1	000		
DOOR A.-1 SPOUT	X51531-10	1			103		
+BEARING-FRONT	023262	1			000		
+GASKET-DOOR HT 4"-DOUBLE	048926	1			000		
+HANDLE A.-DRAW-ADJ.	X26996	1			103		
+HANDLE-ADJUSTABLE	028804	1			103		
+O-RING-1/4 OD X .070W 50 DURO	015872	1			000		
+SCREW-ADJUSTMENT-PLASTIC	026592	1			000		
+O-RING-3/8 OD X .070W	016137	2			000	PRIME PLUG	
+O-RING-5/16 OD X .070W	016272	1			000	PIVOT ROD	
+O-RING-7/8 OD X .103W	014402	2			000	DRAW VALVE	
+PIN A.-PIVOT	X22820	1			103		
+PLUG-PRIME	028805	1			103		
+VALVE A.-DRAW	X18303	1			103		

+ Available Separately

DESCRIPTION	PART NUMBER	8752 QTY.	8756 QTY.	8757 QTY.	WARR. CLASS	REMARKS	PARTS UPDATE
DOOR A.-3 SPOUT	X51532-12		1	1	103		
+GASKET-DOOR-4" SHELL	048926		2	2	000		
+HANDLE A.-DRAW-ADJ.	X33687		3	3	103		
+HANDLE-ADJUSTABLE	028804		3	3	103		
+O-RING-1/4 OD X .070W 50 DURO	015872		3	3	000		
+SCREW-ADJUSTMENT-STAINLESS	033662		3	3	000		
+NUT-5/16-24 18-8 SS JAM	029639-BLK		3	3	000		
+O-RING-3/8 OD X .070W	016137		4	4	000	PRIME PLUG	
+O-RING-5/16 OD X .070W	016272		1	1	000	PIVOT ROD	
+O-RING-7/8 OD X .103W	014402		6	6	000	DRAW VALVE	118
+PLUG-PRIME	028805		2	2	103		
+ROD A.-PIVOT	X22388		1	1	103		
+ROD A.-PIVOT	X22387		1	1	103		
+SEAL-DRAW VALVE	034698		1	1	000	J5080000 THRU J7060000	118
+VALVE A.-DRAW	X18303		3	3	103	J7060000 (3)	118
+VALVE A.-DRAW	X45380		1	1	103	J5080000 THRU J7060000	118
DOOR A.-INS. *5460-1-454-	X22178	1			103		
DOOR A.-INS.MIX-8657/8756	X24816		1		103		
DOOR A.-INS.MIX-TEMP CTR.	X24816-SP1			1	103		
DRYER-CAP. TUBE-HP62 {DUAL}	049346	1	1	1	000	MIX CABINET	104
DRYER-FILTER-HP62-3/8 X 1	048901	1	2	2	000		
EVAPORATOR-12L X 4H X 1-7/8T	X30939	1	1	1	103	MIX CABINET	
FAN-EVAPORATOR 2900RPM-18W/60H	028534-	2	1	1	103	MIX CABINET	
FUNNEL-MIX	036637	1	2	2	103		
FUSE-15 AMP CARTRIDGE	027582	2	4	4	000		
GASKET-MIX DOOR	020134	1			000		
GASKET-CAB MIX DOOR	024629		1	1	000		
GEAR A.*REDUCER	021286	1	2	2	212		
GUARD-FAN	028534-1	2	2	2	103		
GUIDE A.-DRIP PAN *8752*	X28603	1			103		
GUIDE A.-DRIP PAN *8756*	X28628		1	1	103		
HINGE-SELF CLOSING DOOR	020143	1	1	1	103		
PIN A.-UPPER HINGE	X20315	1	1	1	103		

+ Available Separately

DESCRIPTION	PART NUMBER	8752 QTY.	8756 QTY.	8757 QTY.	WARR. CLASS	REMARKS	PARTS UPDATE
PLATE-LOWER HINGE	020323	1	1	1	103		
HOLDER-FUSE 300 VOLT PANEL MT.	027581	2	4	4	103		
HOOD	050464	1			103		
HOOD	048526		1	1	103		
INDICATOR-DIGITAL-TEMP SOLAR	051234			1	103	J9050000/UP	
INDICATOR-DIGITAL-TEMP SOLAR	039236			1	103	PRIOR TO J9050000	
JAR-SYRUP-PLASTIC	036573			2	103		
JAR-SYRUP-STAINLESS	036574			2	103		
+LID W/LADLE 1OZ	036575			2	103		
KIT A.-TUNE UP-1 SPOUT-NO	X49463-15	1			000		
BEARING-FRONT	050348	1			000	USE W/BEATER SHOES X50350 KIT	
CAP-DESIGN-1.010"ID-6 POINT	014218	1			000		
O-RING-7/8 OD X .103W	014402	2			000		
O-RING-3/8 OD X .070W	016137	2			000		
O-RING-5/16 OD X .070W	016272	1			000		
O-RING-1-3/8 OD X .103W-#123	018664	1			000		
RING-CHECK 2 IN OD X 1/2	020050	2			000		
O-RING-2-1/8 OD X .139W-#225	020051	3			000		
DIAPHRAGM-PRESSURE SWITCH	020249	1			000		
O-RING-13/16 OD X .139W	021278	1			000		
SEAL-DRIVE SHAFT	032560	1			000		
RING-CHECK 1-1/4 OD X 3/8	033215	1			000		
TOOL- O-RING REMOVAL	048260-WHT	1			000		
GASKET-DOOR HT 4"-DOUBLE	048926	1			000		
KIT A.-TUNE UP-3 SPOUT-NON HT	X49463-2		1	1	000		
BEARING-FRONT-SHOE	050348		2	2	000		
CAP-DESIGN-1.010"ID-6 POINT	014218		3	3	000		
DIAPHRAGM-PRESSURE SWITCH	020249		2	2	000		
GASKET-DOOR HT 4"-DOUBLE	048926		2	2	000		
O-RING-1-3/8 OD X .103W	018664		2	2	000		
O-RING-13/16 OD X .139W	021278		2	2	000		
O-RING-2-1/8 OD X .139W	020051		6	6	000		
O-RING-3/8 OD X .070W	016137		4	4	000		

+ Available Separately

DESCRIPTION	PART NUMBER	8752 QTY.	8756 QTY.	8757 QTY.	WARR. CLASS	REMARKS	PARTS UPDATE
O-RING-5/16 OD X .070W	016272		1	1	000		
O-RING-7/8 OD X .103W	014402		6	6	000		
RING-CHECK 1-1/4 OD X 3/8	033215		2	2	000		
RING-CHECK 2 IN OD X 1/2	020050		4	4	000		
SEAL-DRAW VALVE	034698		1	1	000	J5080000 THRU J7060000	118
SEAL-DRIVE SHAFT	032560		2	2	000		
SHOE-FRONT HELIX *FRONT*	050347		2	2	000		
SHOE-FRONT HELIX *REAR*	050346		2	2	000		
TOOL- 0-RING REMOVAL	048260-WHT		1	1	000		
LABEL-DOOR-WARN-MOVE PART	032749	1	1	1	000		
LABEL-WARN-COVER	051433	5	6	7	000		
LABEL-SWITCH-HEATER	036551			1	000	PRIOR TO J8120000	137
LABEL-SWITCH-HEATER	052183-SYM			1	000	J8120000/UP	137
LABEL-SWITCH-POWER OFF/ON	052632			1	000	J8120000/UP	137
LINE A.-FLARE	038299	1	2	2	103		
LINE A.-PUMP PRESSURE	X27139	1	2	2	103		
FERRULE-3/8 OD BRASS	030553	2	4	4	000		
SOCKET-QD. 3/16 BARB	020021	2	4	4	103		
TUBE-VINYL 3/16ID X 1/16 WALL	020940-16	1	2	2	000		
LUBRICANT-TAYLOR 4 OZ.	047518	1	1	1	000		
MAN-OPER 8752/8756/8757	028752-M	1	1	1	000		
MOTOR-FAN 9 WATT 1550RPM-	012768-	1			103	MIX CABINET	
*FAN-5 BLADE 7 " PUSH 30D	016289	1			103		
MOTOR-FAN 120 W 208/230V 60H	041401-	1			103	MAIN SYSTEM	
*CAPACITOR-RUN- 4UF-370V	019624	1			103		
*FAN-5 BLADE 12" PUSH 32DEG	047279	1			103		
MOTOR-1.5 HP	021522-	1	2	2	212		
MOTOR-REDUCER 54 RPM-SS	030913-	1	2	2	103		
NUT-STUD *GENERAL USAGE*	021508	4			103	HANDSCREWS	
NUT-STUD *460-664-754-56*LONG	034382		2	2	103	HANDSCREWS	
NUT-STUD *460-664-754-56*SHORT	034383		2	2	103	HANDSCREWS	
PAIL-10 QT.	013163	2	2	2	000		
PAN A.-DRIP *8752*	X23008	1			103	EXPANSION VALVE	

+ Available Separately

140814

DESCRIPTION	PART NUMBER	8752 QTY.	8756 QTY.	8757 QTY.	WARR. CLASS	REMARKS	PARTS UPDATE
PAN A.-DRIP *8756*	X22811		1		103	EXPANSION VALVE	
PAN A.-DRIP *8757*	X36761			1	103	EXPANSION VALVE	
PAN-DRIP 11-5/8 LONG	027503	1			103		
PAN-DRIP 17-1/4" LONG	027504		1		103		
PAN-DRIP 17-1/4" LONG	036232			1	103	8" NOTCH AT REAR	
PANEL A.-FRONT *8752*	X22997	1			103		
PANEL A.-FRONT *8756*	X22879		1		103		
PANEL A.-FRONT *8757*	X36711			1	103		
PANEL A.-LOWER SIDE	X23956	2	2		103	RIGHT & LEFT	
PANEL A.-LOWER SIDE	X36741			2	103	RIGHT & LEFT	
PANEL-LOWER REAR *5454-87	025128	1			103		
PANEL-LOWER REAR *657-756*	023598		1		103		
PANEL-LOWER REAR *8757*	042067			1	103		
PANEL-UPPER REAR *454-8-7	022074	1			103		
PANEL-UPPER REAR *657-756*	022015		1		103		
PANEL-UPPER REAR *8757*	042068			1	103		
PANEL-UPPER SIDE LEFT	028599	1	1	1	103	HINGED	
PANEL-UPPER SIDE RIGHT	028600	1	1	1	103	HINGED	
PIN-PIVOT	013592		2	2	103	FOR RESET	
PLATE-DEC-8752	033347	1			103		
PLATE A.-DEC-8756	X32138		1		103		
PLATE A.-DEC-8757	X32138			1	103		
PLUG-DRIP TRAY HOLE	029595	1	1	1	000		
PROBE A.-MIX-W/BALL CONNECTORS	X35981	1	2	2	103	MIX CABINET	
PROBE A.-THERMISTOR	X31602	1	2	2	103	BARREL	
PROBE A.-THERMISTOR *SHORT*	X36267	1	1	1	103	MIX CABINET	
* BRACKET-THERMISTOR PROBE	033745	1	1	1	103	MIX CABINET	
PULLEY-2AK22 X .625-.6265	016403	1	2	2	103	BEATER MOTOR	
PULLEY-2AK74-5/8	027822	1	2	2	103	GEAR	
PUMP A.-COAX *SS*A*	X36201	1	2	2	103		
BODY A.-COAX VALVE *SS*A*	X36202	1	2	2	103		
CYLINDER A.-PUMP	022345-1	1	2	2	103		
ELBOW-INLET 90 DEG.	022502-4	1	2	2	103		

+ Available Separately

DESCRIPTION	PART NUMBER	8752 QTY.	8756 QTY.	8757 QTY.	WARR. CLASS	REMARKS	PARTS UPDATE
O-RING-1-3/8 OD X .103W	018664	1	2	2	000		
O-RING-13/16 OD X .139W	021278	1	2	2	000		
O-RING-2-1/8 OD X .139W	020051	3	6	6	000		
PIN-RETAINING	021276-8	1	2	2	103		
PISTON-COAX PUMP *A* WHITE	032733	1	2	2	103		
POPPET-RUBBER-BLACK	022473	1	2	2	000		
RING-CHECK 1-1/4 OD X 3/8	033215	1	2	2	000		
RING-CHECK 2 IN OD X 1/2	020050	2	4	4	000		
SPRING-TAPERED 1-7/8L	022456	1	2	2	103		
PUMP A.-SYRUP-TAN	036623			2	103		
RELAY-3 POLE-20A-208/240 50/60	012725-	2	2	2	103		
RELAY-SPDT-30 A-240 V	032607-		1	1	103		
RELAY-OVRD	049651-	1			103		
SANITIZER KAY-5 (125 PACKETS)	041082	1		1	000		
SANITIZER-STERA SHEET-GREEN	065293		1		000		
SHAFT-BEATER	032564	1	2	2	103		
+SEAL-DRIVE SHAFT	032560	1	2	2	000		
SHELL A.-INSULATED *8752*	X24369	1			512		
+STUD-NOSE CONE	022822	4			103		
SHELL A.-INSULATED *8756*	X24347		1	1	512		
+STUD-NOSE CONE	022822		4	4	103		
SHIELD-SPLASH *5454-8-752	022765	1			103		
SHIELD-SPLASH 23 L	022766		1	1	103		
SHROUD A.-EVAPORATOR	X49124	1	1	1	103	MIX CABINET (8756-J5120589/UP)	104
SHROUD A.-EVAPORATOR	X21983		1		103	MIX CABINET (J5032993-J5120588)	104
SOCKET A.-PROBE*BALL&SOCK*60IN	X36615	1	2	2	103		
CLIP-BALL CONNECTOR	035813	3	6	6	000		
SCREW-5-40 X 1/4 SOCKET CAP SS	037843	3	6	6	000		
STARTER	041950-		2	2	103		
STRIP-TOP TRIM	024827		1	1	103		
SWITCH-PRESSURE 440 PSI-S	048230	1	2	2	103		
SWITCH-TOGGLE-4PDT*ON-NONE-ON	024295	1			103		
SWITCH-TOGGLE-DPDT*ON-NONE-ON	037394		1		103		

+ Available Separately

071018

DESCRIPTION	PART NUMBER	8752 QTY.	8756 QTY.	8757 QTY.	WARR. CLASS	REMARKS	PARTS UPDATE
SWITCH-TOGGLE-SPST	012626			1	103	PRIOR TO J8120000	137
SWITCH-TOGGLE-SPST	015974			1	103	J8120000/UP	137
SWITCH A.-DRAW	X33322	1			103		
ARM A.-DRAW *750-1-2*MC*	X33326	1			103		
BRACKET A.-SWITCH *750-1-2*M	X33323	1			103		
E-RING 3/16 .335 O.D.	049178	1			000		
PIN-PIVOT	015478	1			103		
SPRING-RETURN R.	023488	1			103		
SWITCH-LEVER-SPDT-10A-125-25	028889	1			103		
SWITCH A.-DRAW *TWIN TWIST	X38921		1	1	103		
ARM-SWITCH-DRAW-LEFT	038649		1	1	103		
ARM-SWITCH-DRAW-RIGHT	038650		1	1	103		
BRACKET A.-SWITCH *338-39-754	X38252		1	1	103		
E-RING 1/4	032190		2	2	000		
PIN-PIVOT-DRAW SWITCH	038484		1	1	103		
SPRING-RETURN L.	023487		1	1	103		
SPRING-RETURN R.	023488		1	1	103		
SWITCH A.-DRAW-TWIN TWIST	X39269		1	1	103		
BRACKET-DRAW SWITCH-TWIN TWIST	039264		1	1	103		
SWITCH-LEVER-SPDT-11A-125-277V	039252		2	2	103		
SWITCH A.-PRESSURE*DELTRIN CAP*	X32660	1	2	2	103	MIX CABINET	
BODY-PRESSURE SWITCH*DELTRIN*	032633	1	2	2	103		
CAP-PRESSURE SWITCH	032635	1	2	2	000		
DIAPHRAGM-PRESSURE SWITCH	020249	1	2	2	000		
O-RING-1/2ID X 5/8 OD	017998	1	2	2	000		
PISTON-PRESSURE SWITCH*DELTRIN	032634	1	2	2	103		
SPRING-COMP.480X.047X1.00	032651	1	2	2	103		
SWITCH-PLUNGER-SPDT15A125-250V	032260	1	2	2	103		
TANK-MIX-15 GALLON-PLASTIC	020275	1			103		
TANK A.-MIX W/DECALS	X38755		2	2	103		
DECAL-MIX TANK-RIGHT SIDE OUT	038751		2	2	000		
DECAL-MIX TANK-WRONG SIDE OUT	038750		2	2	000		
TANK-MIX 9-GALLON TAPERED BTM	034928		2	2	103		

+ Available Separately

DESCRIPTION	PART NUMBER	8752 QTY.	8756 QTY.	8757 QTY.	WARR. CLASS	REMARKS	PARTS UPDATE
TOOL-LIQ.VALVE BODY EXTRACTING	035793	1	1	1	000		
TRAY-DRIP 16-7/8L X 5-1/8	020157	1			103		
TRAY-DRIP 22-7/8L X 5-1/8W	014533		1	1	103		
TRIM A.-SHELF *5454-8752*	X20426	1			103	BELOW DRIP TRAY	
TRIM A.-SHELF *657-756*	X24813		1		103	BELOW DRIP TRAY	
TRIM A.-SHELF *8757*	X36732			1	103	BELOW DRIP TRAY	
TRIM A.-UPPER SIDE *5454-	X22423	2			103		
TRIM A.-SIDE *657-756*	X22424		2	2	103		
TRIM-BOTTOM MIX DOOR	024974	1			103		
TRIM-BOTTOM MIX DOOR	024826		1	1	103		
TRIM-REAR CORNER *5454-87	022071	2			103		
TRIM-REAR CORNER *657-756*	022013		2		103		
TRIM-REAR CORNER *8757*	036740			2	103		
TRIM-FRONT LEFT	024824-SP	1	1	1	103		
TRIM-FRONT RIGHT	024825	1	1	1	103		
TRIM-TOP MIX DOOR	024976	1			103		
TRIM-TOP MIX DOOR			1	1		SEE STRIP-TOP TRIM (024827)	
TUBE A.-MIX INLET	X23124	1	2		103		
TUBE A.-MIX INLET	X36735			2	103		
+O-RING-13/16 OD X .103W	019330	1	2	2	000		
+SEAL-INLET TUBE	032886	1	2	1	000		
TUBE A.-SUCTION *22 INCH*	X20450	1			103		
COUNTERWEIGHT-SUCTION TUBE	020452	1			103		
TUBE-VINYL 5/8 ID X 1/8 WALL	020945-22	1			000	BULK P/N R30326	
TUBE A.-SUCTION *18 INCH*	X37293		2	2	103		
COUNTERWEIGHT-SUCTION TUBE	020452		2	2	103		
TUBE-VINYL 5/8 ID X 1/8 WALL	020945-18		2	2	000	BULK P/N R30326	
TUBE-VINYL 1/4ID X 1/16WALL	020941-30		1	1	000	BULK P/N R30312 MIX CAB SHROUD	
TUBE-VINYL 1/4ID X 1/16WALL	020941-36	1	1	1	000	BULK P/N R30312 AXV DRAIN	
VALVE-ACCESS 1/4 X 3/8 SOLDER	029406	1	1	1	103		
VALVE-ACCESS 1/4FL X 1/4SOLDER	044404	1	1	1	103		
VALVE-ACCESS 1/4FL X 3/8S	044455	1			103		

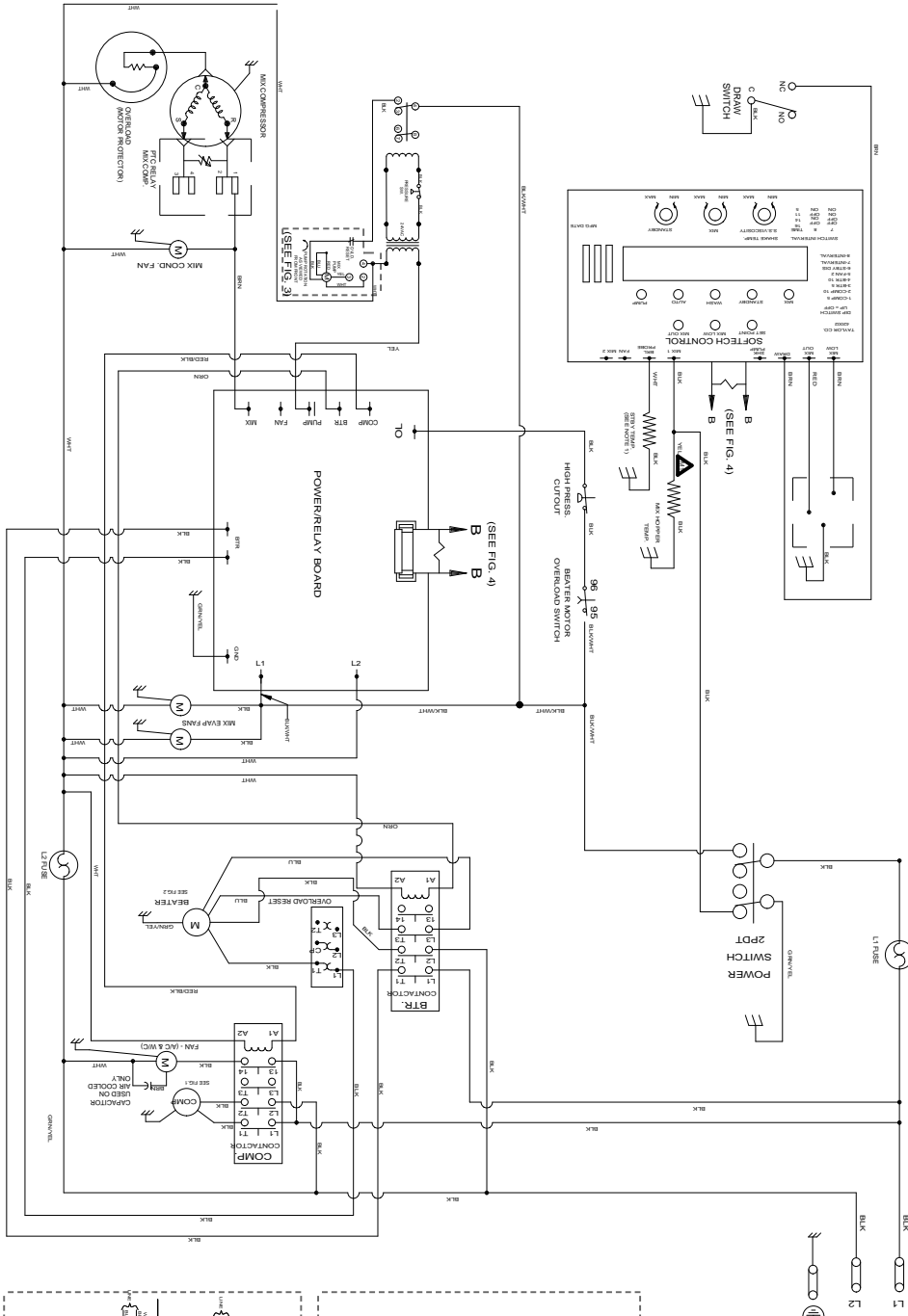
+ Available Separately

DESCRIPTION	PART NUMBER	8752 QTY.	8756 QTY.	8757 QTY.	WARR. CLASS	REMARKS	PARTS UPDATE
VALVE-ACCESS 1/4FL X 3/8SOLDER	043232		2	2	103		
VALVE-ACCESS-1/4 MFLX1/4 S-90	047016	1	2	2	103		
VALVE-EPR 1/4S	022665	1	1	1	103	MIX CABINET	104
VALVE-EXP-AUTO-1/4S X1/4 FPT	046365	1	2	2	103		
+BOOT-EXPANSION VALVE	050900	1	2	2	000		
VIDEO-TRAIN FILM-SS-CABINET	038417-V	1	1	1	000		
WIRE A.-PRESSURE*LONG*	X32663	1	2	2	103	FOR X32660 PRESSURE SWITCH	
* BOOT-PRESSURE SWITCH	032624	1	2	2	000		
WATER COOLED							
BRACKET-FAN	022077	1			103		
BRACKET-FAN	048524		1	1	103		
CONDENSER-WC-COAX	048287	1	2	2	103		
ENCLOSURE-FAN *8657-8756*	X31852		1	1	103		
FAN-5 BLADE 7 " PUSH 30D	016289	1	2	2	103		
HOSE-RUBBER 1/2"ID X 7/8"	R50200	10ft	17ft	25ft	000		
MOTOR-FAN 9 WATT 1450RPM-	012768-	1	2	2	103		
OUTLET A.-TEE	X25900		1	1	103		
SHROUD A.-CONDENSER *8657	X30957		1	1	103		
VALVE-WATER 3/8 REG/HEAD	046686	1	2	2	103		
SWITCH-PRESSURE 350 PSI-SOLDER	048231	1	2	2	103		
50Hz							
BELT-AX36	022849	2			000		
BELT-AX43	022865			4	000		
BLOCK-TERMINAL 2P	039421	2			103	SINGLE PHASE	
BLOCK-TERMINAL 2P	039422		4	4	103	SINGLE PHASE	
BLOCK-TERMINAL 3P	039423	2	4	4	103	THREE PHASE	
BLOCK-TERMINAL 4P	039424	2	4	4	103	THREE PHASE	
COMPRESSOR - CS18K6E - COPELAND	052397-		2		512	MAIN	
+ CAPACITOR-RUN- 45UF/370V	052400		2		103	MAIN - SINGLE PHASE	
+ CAPACITOR-START-145-175UF/250V	052399		2		103	MAIN - SINGLE PHASE	
+ RELAY-START-COMPRESSOR	052401-27		2		103	MAIN - SINGLE PHASE	

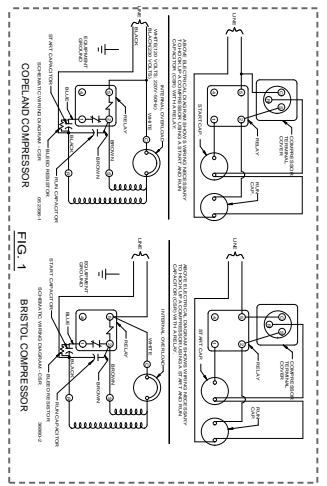
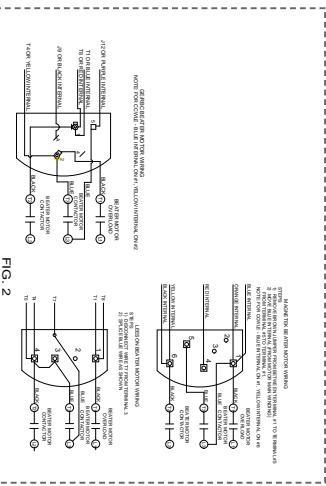
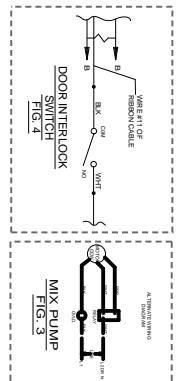
+ Available Separately

DESCRIPTION	PART NUMBER	8752 QTY.	8756 QTY.	8757 QTY.	WARR. CLASS	REMARKS	PARTS UPDATE
COMPRESSOR L63A113BBKA - BRISTOL	048259-40	1	2	2	512	MAIN	
+ CAPACITOR-RUN- 25UF/370V	023739	1	2	2	103	MAIN - SINGLE PHASE	
+ CAPACITOR-START-161-193UF/250V	031790	1	2	2	103	MAIN - SINGLE PHASE	
+ RELAY-START-COMPRESSOR	038146	1	2	2	103	MAIN - SINGLE PHASE	
COMPRESSOR AEA0415ZXC-AE580JT - TECUMSEH	048627-40	1	1	1	512	MIX CABINET	
INDICATOR-DIGITAL TEMP-SOLAR (CELSIUS)	051234-C			1	103	J9050000/UP	
RELAY-START-COMPRESSOR	050107-40	1	1	1	103	MIX CABINET - SINGLE PHASE	
PULLEY-2AK27 x .625-.6265	011545	1	2	2	103	BEATER MOTOR	
VIDEO-TRAIN FILM-SS-CABINET	038417-PAL	1	1	1	000		

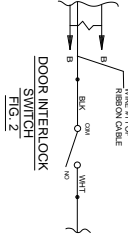
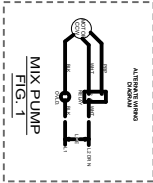
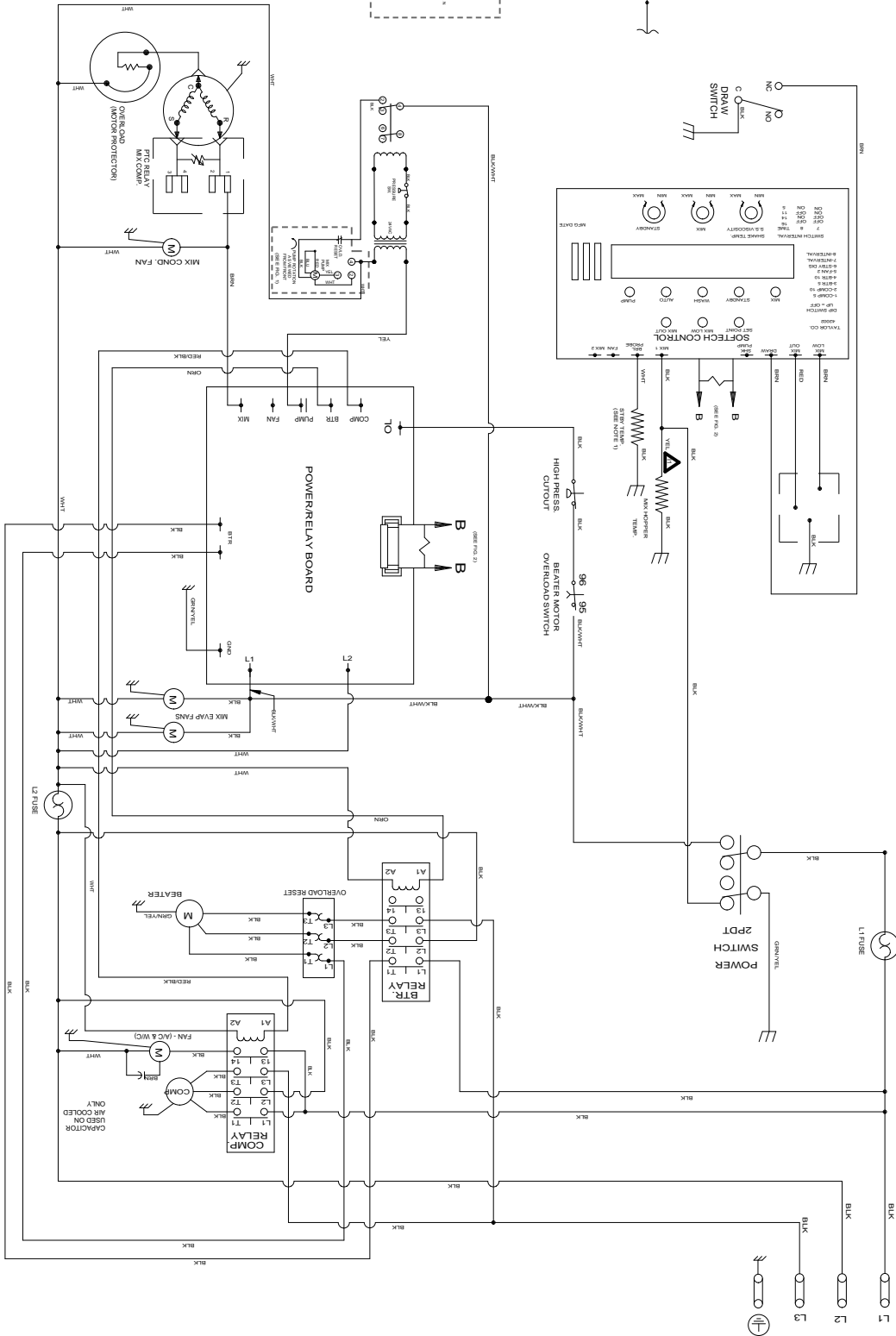
+ Available Separately



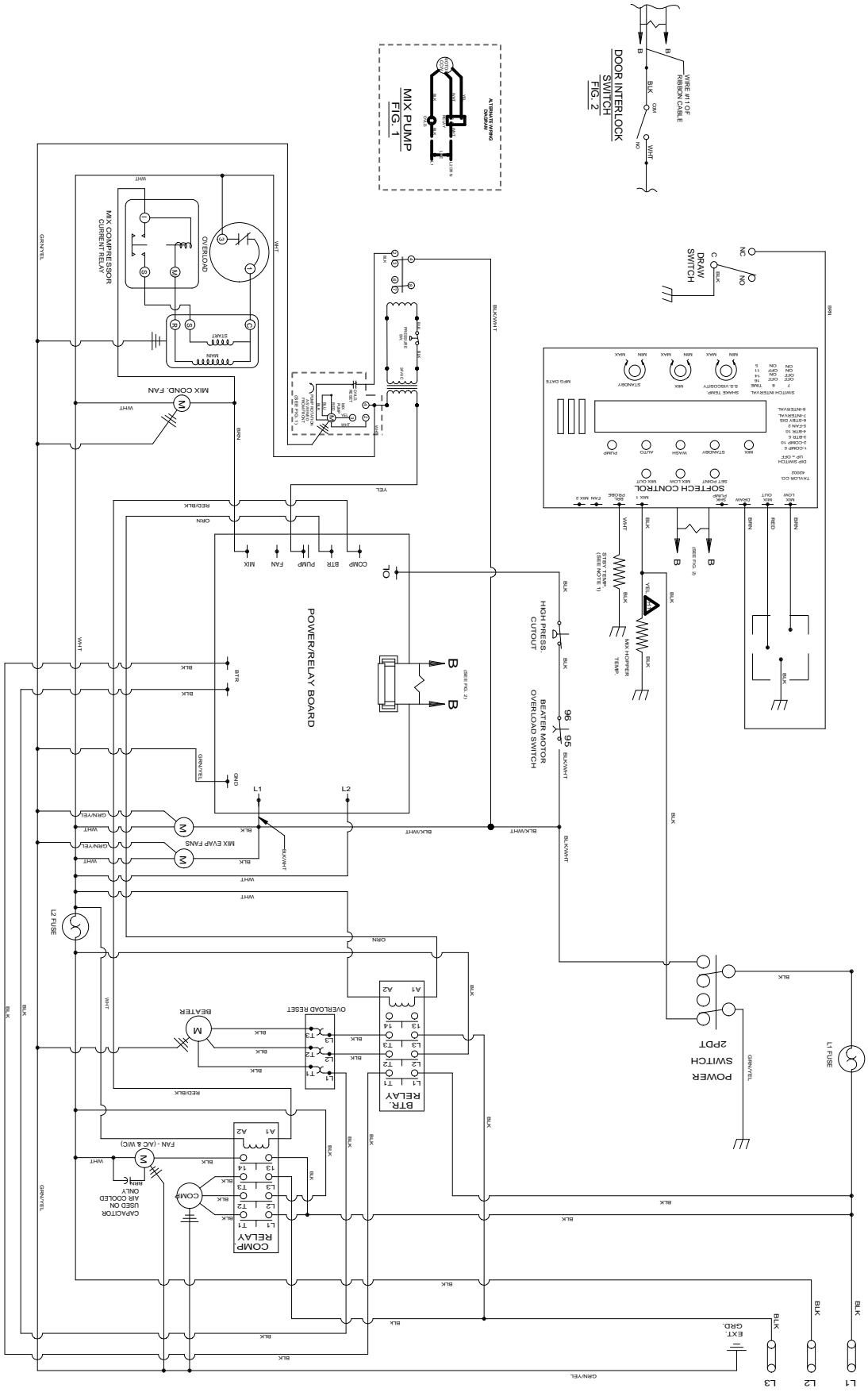
NOTES
 1) STANDBY TEMP. PROBE IS NOT PRESENT ON
 MODELS WITHOUT THE STANDBY MODE FEATURE



Taylor Company
 Model 8752
 037808
 04/14

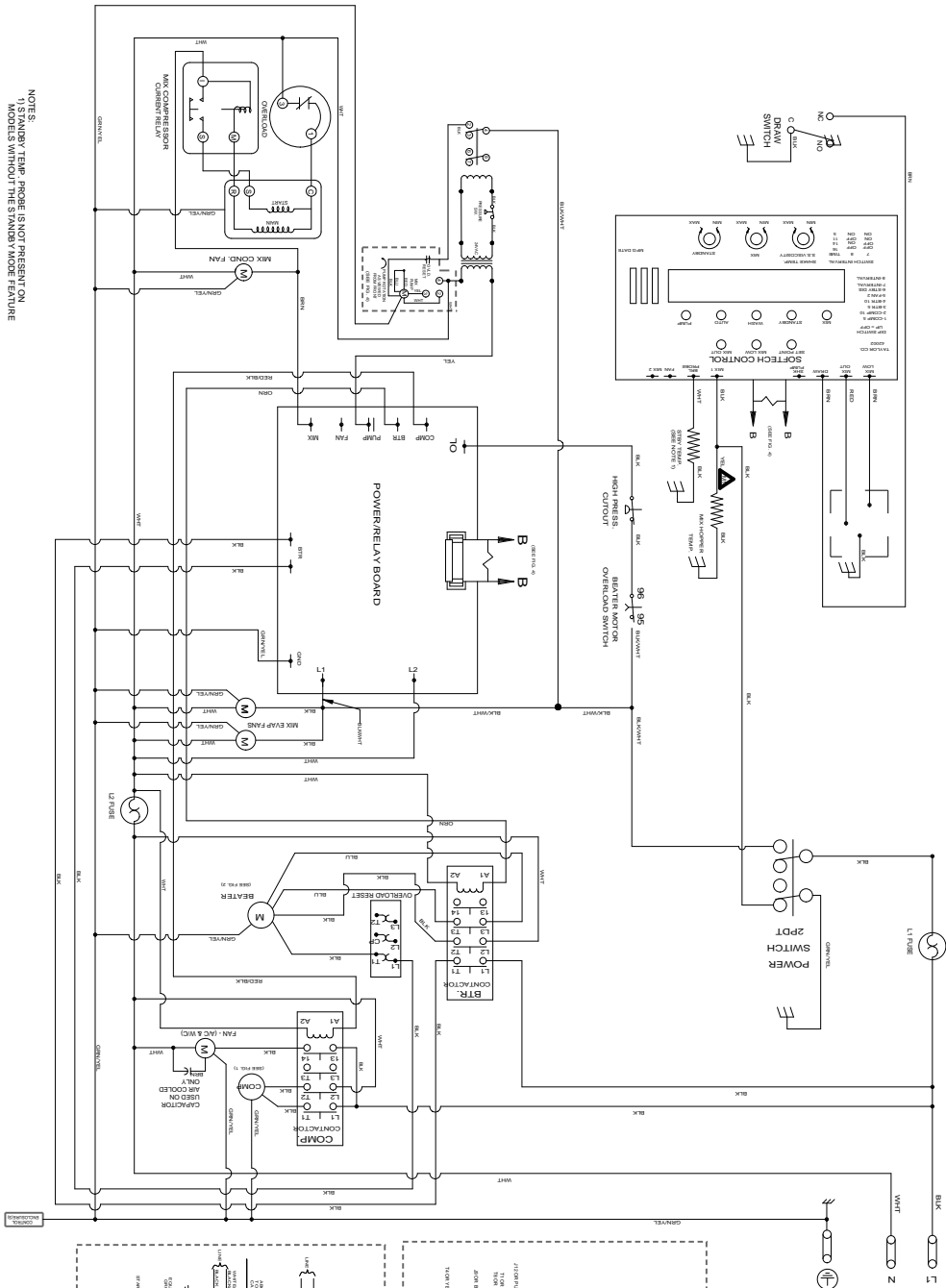


NOTES:
 1) STANDBY TEMP. PROBE IS NOT PRESENT ON
 MODELS WITHOUT THE STANDBY MODE FEATURE

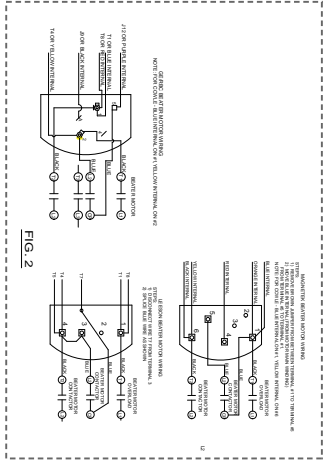
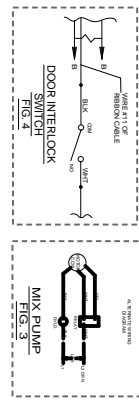


NOTES:
 1) STANDBY TEMP. PROBE IS NOT PRESENT ON
 MODELS WITHOUT THE STANDBY MODE FEATURE

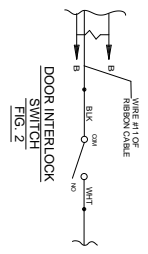
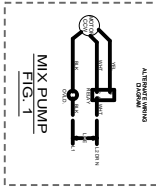
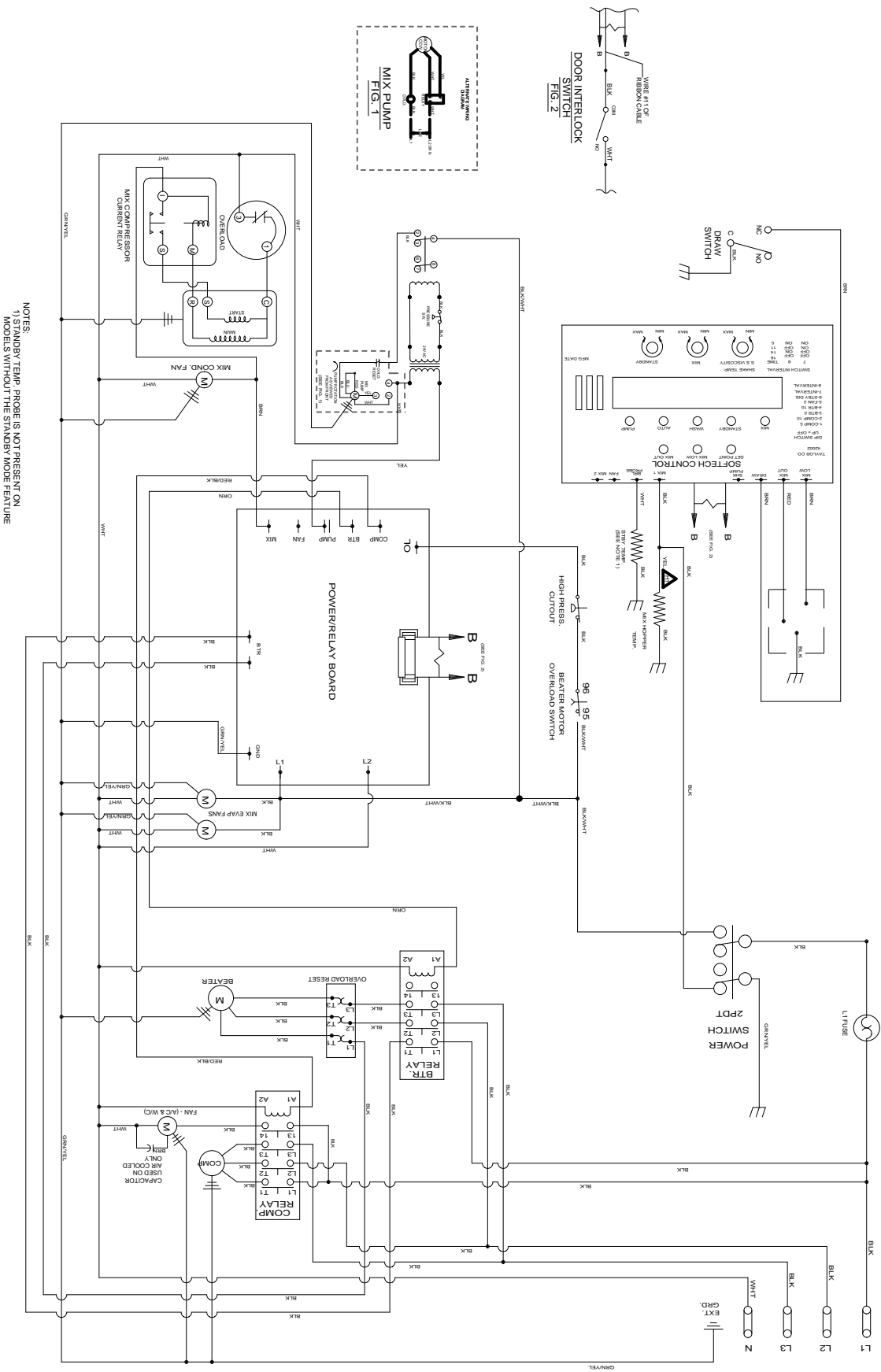
Taylor Company
 Model 8752
 037808-35
 04/14



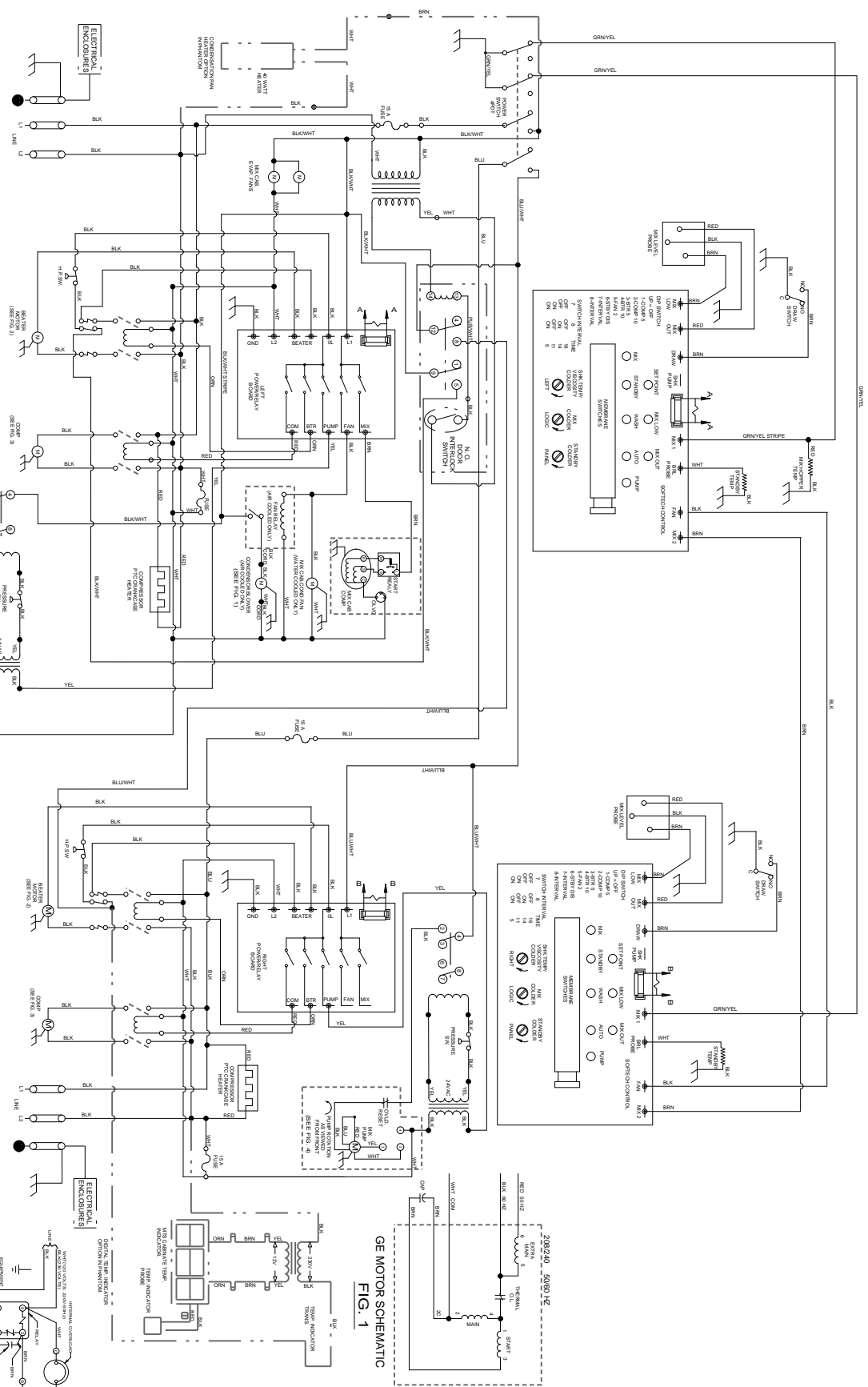
NOTE:
 1) ALWAYS TIEUP FUSES AS NOT PRESENT ON
 1) PAGES WITHOUT THIS SYMBOL MODE FEATURE



Taylor Company
 Model 8752
 037808-40
 04/14



Taylor Company
Model 8752
037808-58
04/14



GE MOTOR SCHEMATIC
FIG. 1

**GROUND FRAME
SECURELY**

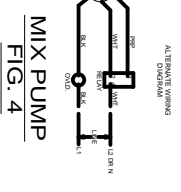
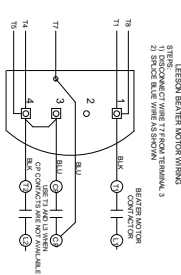
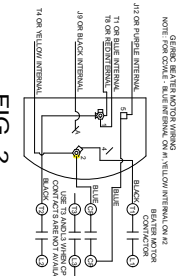
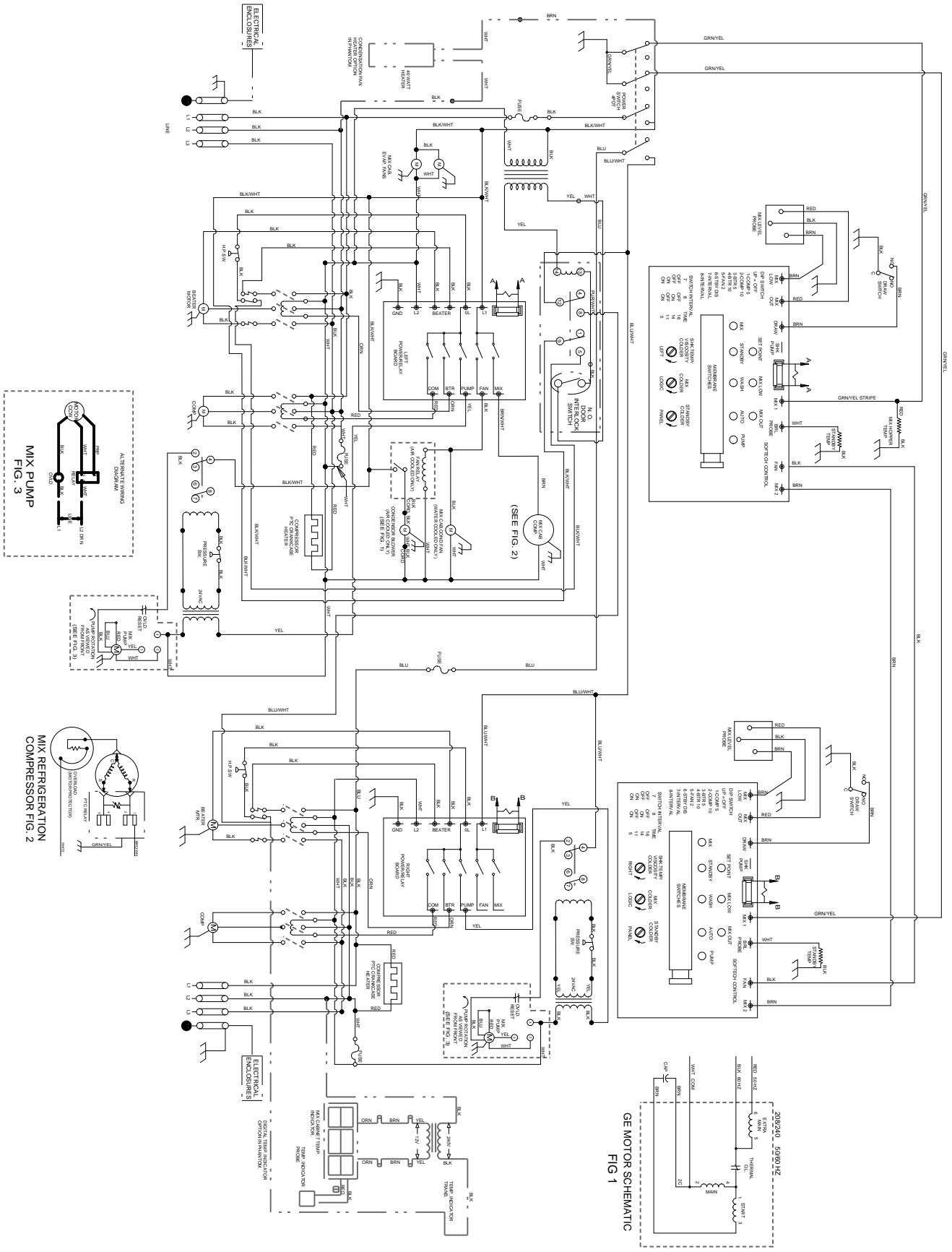


FIG. 3

FIG. 2

FIG. 4



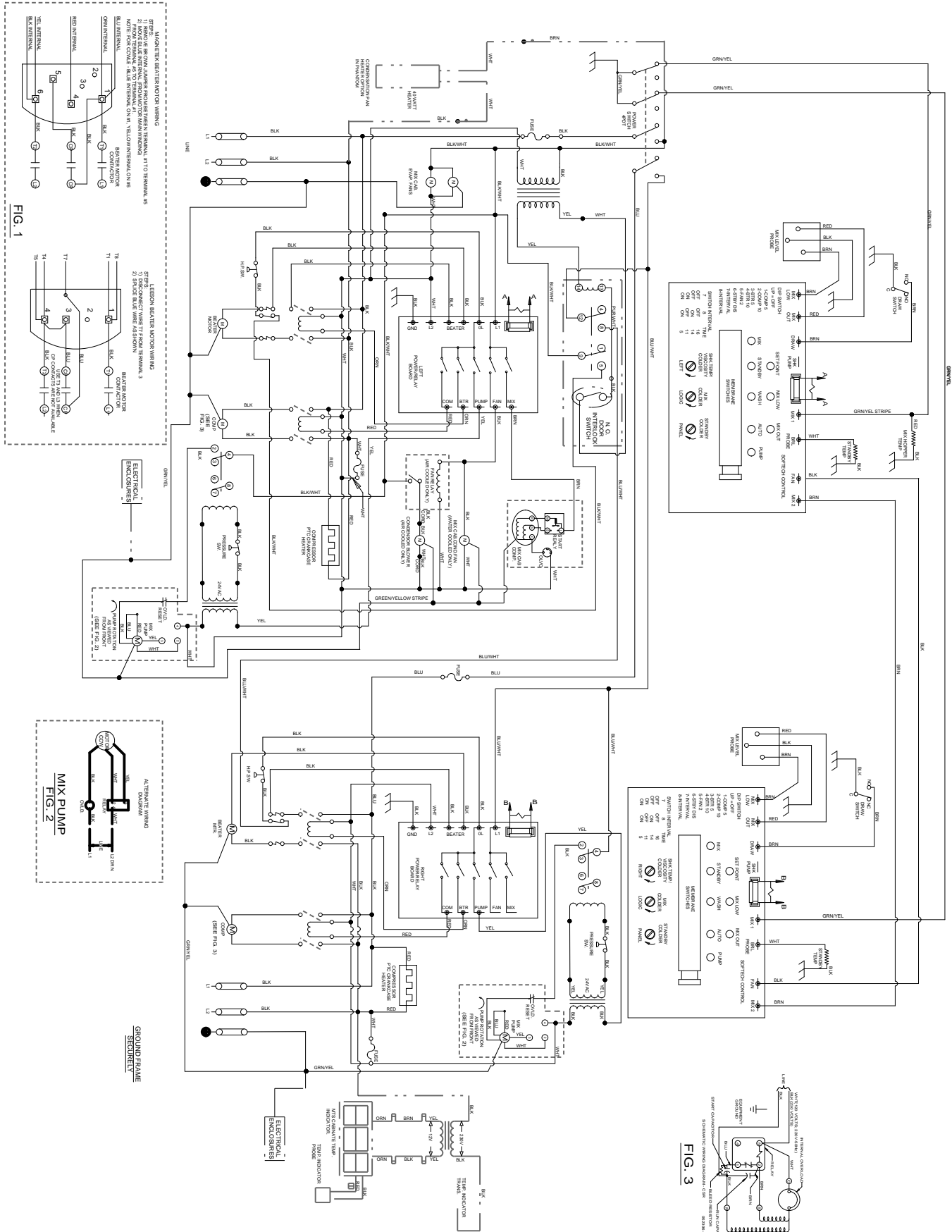
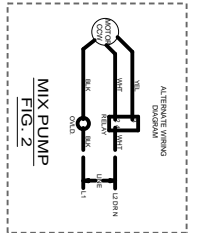
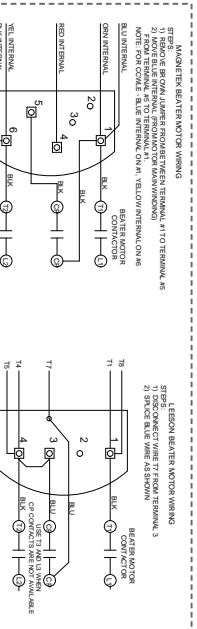


FIG. 1



GROUND FRAME
SECURITY

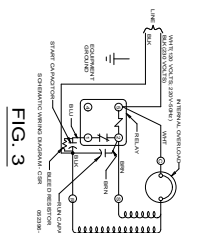


FIG. 3

